

Connecting Rings

1990.106

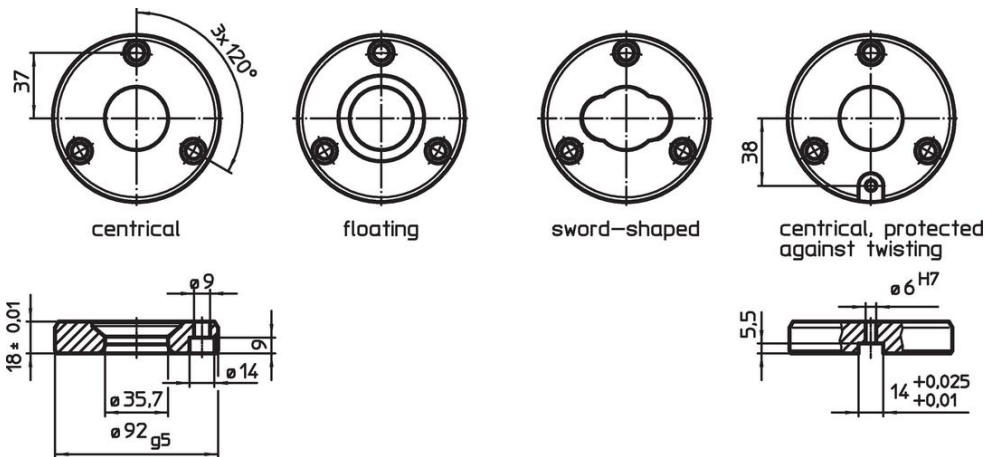


Product Description


Material

- Steel, case-hardened, ground

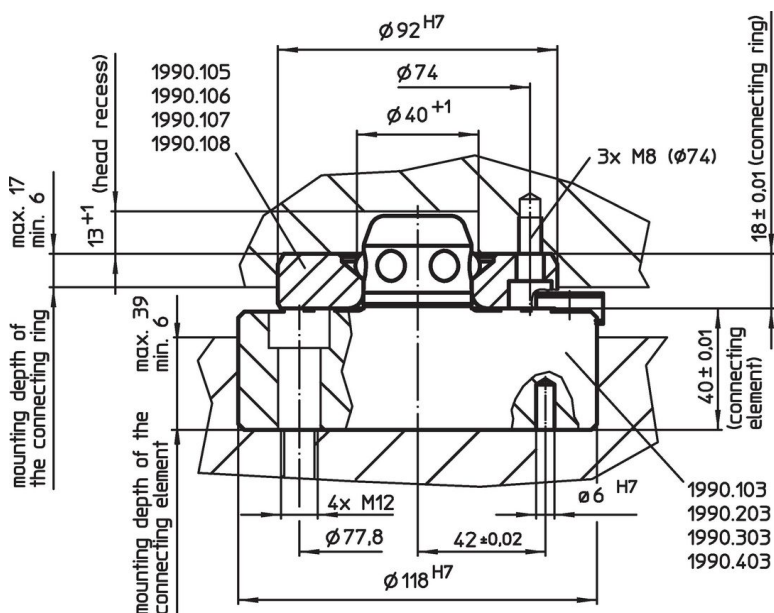
Drawing

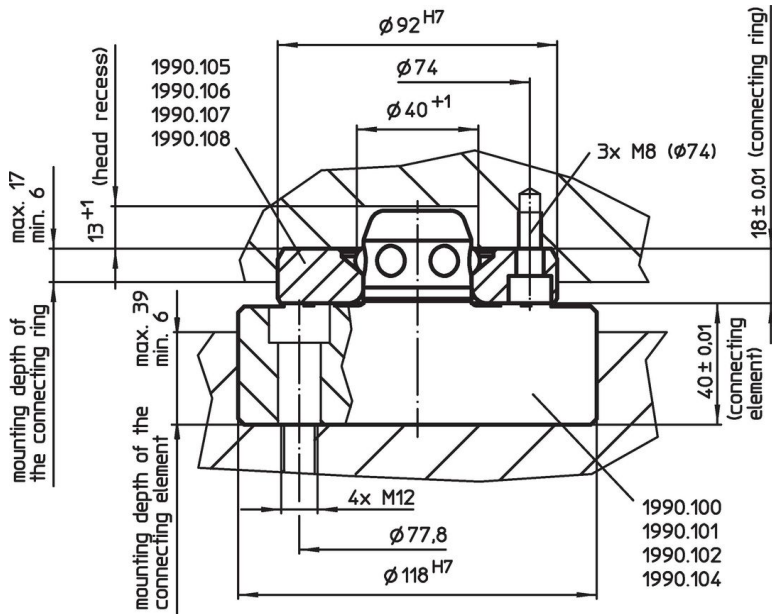


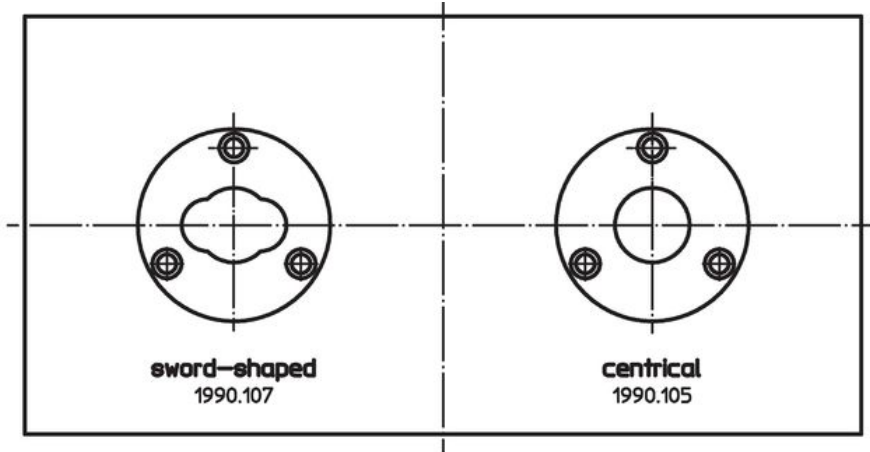
Order information

	Art. No.
 [g]	
floating	
728	1990.106

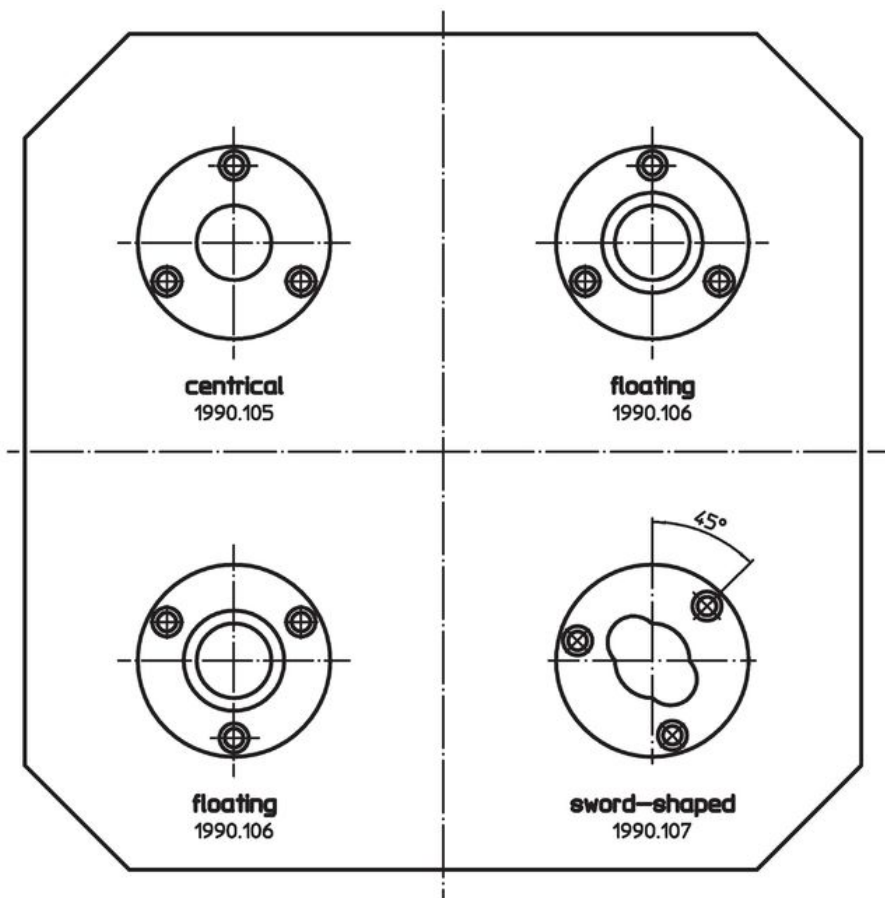
Application example







Assembly position of connecting rings independent from distance



Compliance

RoHS compliant

Compliant according to Directive 2011/65/EU and Directive 2015/863.

Does not contain SVHC substances

No SVHC substances with more than 0.1% w/w contained - SVHC list [REACH] as of 27.06.2024.

Does not contain Proposition 65 substances

No Proposition 65 substances included.
<https://www.P65Warnings.ca.gov/>

Free from Conflict Minerals

This product does not contain any substances designated as "conflict minerals" such as tantalum, tin, gold or tungsten from the Democratic Republic of Congo or adjacent countries.