

## Spring Plungers • headed, with ball and internal hexagon

22030.0933



### Product Description

Spring plungers can be used for locating or for applying pressure, as a detent or for ejection. Precise screwing depth due to head.

### Material

#### Body

- Free cutting steel, blackened

#### Ball

- Ball-bearing steel, hardened

#### Spring

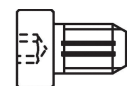
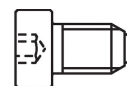
- Stainless steel

### Assembly

Respect dimension  $l_3$  for M 4 / M 5.

### Characteristic

Standard spring load: no marking



Standard spring load

Heavy spring load

### More information

### Notes

Special types on request.  
Spring plungers are specially tested for spring range and forces.

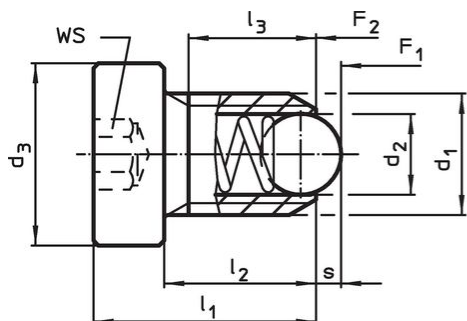
### References

Thread lock on request, please refer to appendix - Technical Data -  
Calculation of indexing resistance, please refer to appendix - Technical Data -

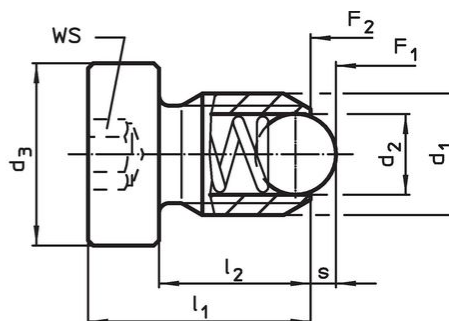
### Further products

- Locators, with bore hole, for spring plungers
- Locators, smooth, for spring plungers

### Drawing



Size M4+M5



Size M6-M12

### Order information

Dimensions					WS	Stroke s	Spring load <sup>1)</sup>		max. [°C]	[g]	Art. No.
d <sub>1</sub>	d <sub>2</sub>	d <sub>3</sub>	l <sub>1</sub>	l <sub>2</sub>			F <sub>1</sub> ~ [N]	F <sub>2</sub> ~ [N]			
free cutting steel, standard spring load											
M8	4.5	13	18	12.5	4	1.5	18	31	250	7.8	22030.0933

<sup>1)</sup> statistical average value

## Application example



## Compliance

### RoHS compliant

Contains lead - compliant according to exceptions 6a / 6b / 6c.

### Contains SVHC substances >0,1% w/w

Contains lead - SVHC list [REACH] as of 27.06.2024.

### Contains Proposition 65 substances



Lead can cause cancer and reproductive harm from exposure  
<https://www.P65Warnings.ca.gov/>

### Free from Conflict Minerals

This product does not contain any substances designated as "conflict minerals" such as tantalum, tin, gold or tungsten from the Democratic Republic of Congo or adjacent countries.