

## Spring Plungers · smooth, with collar and ball

22080.0204



### Product Description

Spring plungers can be used for locating or for applying pressure, as a detent or for ejection.

#### Material

##### Body

- Brass

##### Ball

- Stainless steel, hardened

##### Spring

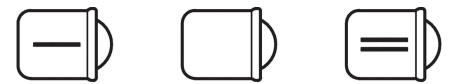
- Stainless steel

#### Assembly

A tolerance of H7 is recommended for the locating hole of  $d_1$ .

#### Characteristic

Standard spring load: no marking



Light spring load

Standard spring load

Heavy spring load

#### More information

#### Notes

Special types on request.

Spring plungers are specially tested for spring range and forces.

#### References

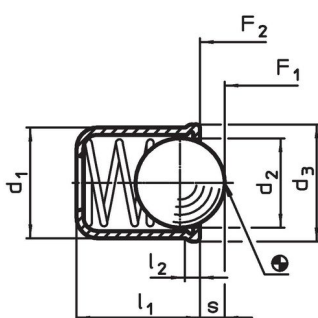
Calculation of indexing resistance, please refer to appendix - Technical Data -

Version with higher spring forces see "EH 22080. Spring Plungers, smooth, long, with collar and ball".

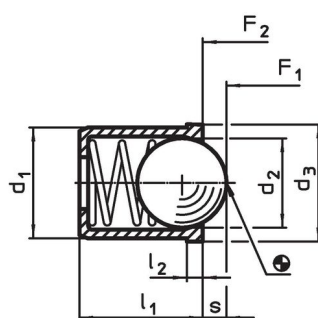
#### Further products

- Spring Plungers, with collar and ball, front slot
- Spring Plungers, smooth, long, with collar and ball
- Spring Plungers, smooth, with collar and ball, self-clamping
- Locators, with bore hole, for spring plungers
- Locators, smooth, for spring plungers
- Holders, for spring plungers

### Drawing



picture 1



picture 2

## Order information

| Dimensions   |                |                |                |                     | Stroke<br>s<br>[mm] | Spring load <sup>1)</sup>  |                            | max.<br>[°C] | Location hole<br>H7<br>[mm] | [g] | Art. No.   |
|--|----------------|----------------|----------------|---------------------|---------------------|----------------------------|----------------------------|--------------|-----------------------------|-----|------------|
| d <sub>1</sub><br>+0.1   | d <sub>2</sub> | d <sub>3</sub> | l <sub>1</sub> | l <sub>2</sub><br>~ |                     | F <sub>1</sub><br>~<br>[N] | F <sub>2</sub><br>~<br>[N] |              |                             |     |            |
| body from brass, ball from stainless steel, standard spring load – picture 2 |                |                |                |                     |                     |                            |                            |              |                             |     |            |
| 4  | 3              | 4.5            | 5              | 1                   | 0.8                 | 3                          | 6                          | 250          | 4                           | 0.4 | 22080.0204 |

<sup>1)</sup> statistical average value

## Application example



## Compliance

### RoHS compliant

Contains lead - compliant according to exceptions 6a / 6b / 6c.

### Contains SVHC substances >0,1% w/w

Contains lead - SVHC list [REACH] as of 27.06.2024.

### Contains Proposition 65 substances



Lead can cause cancer and reproductive harm from exposure  
<https://www.P65Warnings.ca.gov/>

### Free from Conflict Minerals

This product does not contain any substances designated as "conflict minerals" such as tantalum, tin, gold or tungsten from the Democratic Republic of Congo or adjacent countries.