

Mounting Blocks · for index bolts and index plungers

22120.0350



Product Description

Assembly support and extended application for index bolts and index plungers (sizes 6, 8 and 10). Can also be used for locating the locating bushings and positioning bushings EH 22110..

Material

Grub Screw

- Steel, blackened, with brass pad

Body

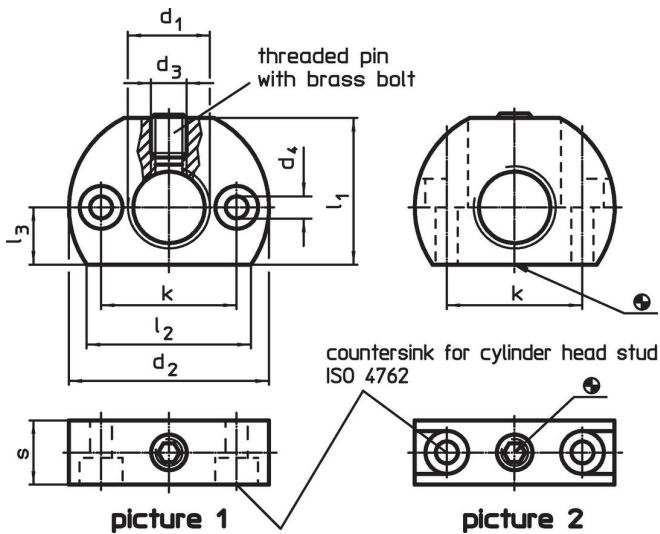
- Steel, blackened

More information

Further products

- Locating Bushings, for index bolts and index plungers
- Positioning Bushings, for index bolts and index plungers

Drawing



Order information

Dimensions									🌡️	📦	Art. No.
d ₁	d ₂	d ₃	d ₄	k ±0.1	l ₁	l ₂ ~	l ₃	s	max.		
[mm]									[°C]	[g]	
mounting hole parallel to index bolt and index plunger – picture 1, Steel											
M20 x 1,5	46	M8	5.5	32	33	38	13	15	250	109	22120.0350

Application example



Compliance

RoHS compliant

Contains lead - compliant according to exceptions 6a / 6b / 6c.

Contains SVHC substances >0,1% w/w

Contains lead - SVHC list [REACH] as of 27.06.2024.

Contains Proposition 65 substances



Lead can cause cancer and reproductive harm from exposure
<https://www.P65Warnings.ca.gov/>

Free from Conflict Minerals

This product does not contain any substances designated as "conflict minerals" such as tantalum, tin, gold or tungsten from the Democratic Republic of Congo or adjacent countries.