

Lateral Plungers • smooth, without seal, with female thread

22150.1026



Product Description

To be used for positioning and applying pressure, e.g. during painting and sandblasting.

Material

Body

- Aluminium Al

Threaded washer

- Steel, blackened

Spring

- Steel, blackened

Assembly

Formula for calculating the center distance for the mounting hole:

$$l_0 = z/2 + w + x,$$

$l_0$  = center distance,

$y$  = workpiece height,

$w$  = workpiece length,

$x$  = stroke,

$z$  = stop diameter

Calculation dimension  $x$  for workpieces:

$$x = d_2/2 - s$$

Installation by pressing in.

Characteristic

Version standard spring load = spring from steel, blackened

More information

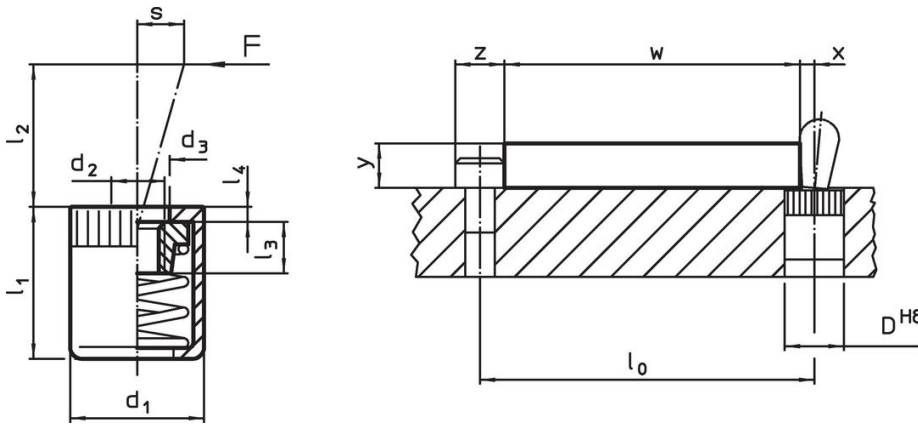
Notes

Individual set screws can be screwed in the plate with threaded hole.

Further products

- Eccentric Mounting Bushings, for lateral plungers, smooth

Drawing





Order information

Dimensions		Spring load F max. <sup>1)</sup> ~ [N]	d <sub>3</sub>	Dimensions				Stroke s [mm]	Location hole D H8 [mm]	max. [°C]	[g]	Art. No.
d <sub>1</sub>	d <sub>2</sub>			l <sub>1</sub> -1	l <sub>2</sub>	l <sub>3</sub>	l <sub>4</sub>					
[mm]				[mm]								
Standard spring load												
10	M4	75	6.3	11	10.7	4.5	1.2	1	10	250	2.1	22150.1026

<sup>1)</sup> statistical average value

Accessories

	Dimensions d <sub>1</sub> [mm]	 [g]	Art. No.
<b>assembly tool</b>			
	10	49	22150.0831

Compliance

**RoHS compliant**

Compliant according to Directive 2011/65/EU and Directive 2015/863.

**Does not contain SVHC substances**

No SVHC substances with more than 0.1% w/w contained - SVHC list [REACH] as of 27.06.2024.

**Does not contain Proposition 65 substances**

No Proposition 65 substances included.

<https://www.P65Warnings.ca.gov/>

**Free from Conflict Minerals**

This product does not contain any substances designated as "conflict minerals" such as tantalum, tin, gold or tungsten from the Democratic Republic of Congo or adjacent countries.