

Ball-Ended Thrust Screws • headed, round ball

22710.0794



Product Description

Ball-ended thrust screws can also be used for positioning and clamping, tightening or supporting of non-parallel surfaces.

Material

Ball

- Stainless steel, hardened

Screw

- Stainless steel 1.4305

More information

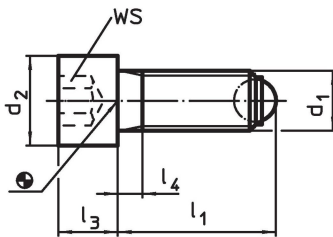
Notes

Customized design on request.

References

Thread lock on request, please refer to appendix - Technical Data -

Drawing

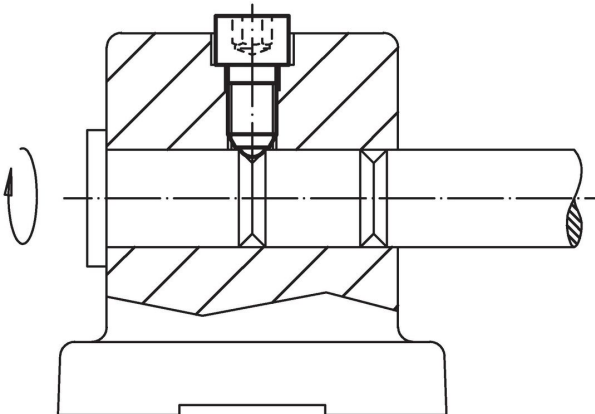


Order information

d ₁	l ₁	Dimensions			Ball diameter	WS	Load capacity for static load ¹⁾ max.	g	Art. No.
		d ₂	l ₃	l ₄					
[mm]									
round ball, Stainless steel									
M16	63.3	24	16	6	12	14	60	122	22710.0794

¹⁾ Statements on load capacity are not valid for the stainless steel type.

Application example



Compliance

RoHS compliant

Compliant according to Directive 2011/65/EU and Directive 2015/863.

Does not contain SVHC substances

No SVHC substances with more than 0.1% w/w contained - SVHC list [REACH] as of 27.06.2024.

Does not contain Proposition 65 substances

No Proposition 65 substances included.

<https://www.P65Warnings.ca.gov/>

Free from Conflict Minerals

This product does not contain any substances designated as "conflict minerals" such as tantalum, tin, gold or tungsten from the Democratic Republic of Congo or adjacent countries.