

## Clamping Claws

23370.0140



### Product Description

Clamping claws are used as precision clamping element in conventional fixtures. A locating hole is provided in the body of the fixture. The hole depth has to be adapted to the desired clamping height.

For the version with ground support surface (picture 1), a support can be attached to the rounded claw part (radius 22) to absorb the counter force. This support can be flat, half-rounded or V-shaped.

For the version with positioning bushing (picture 2), a support to absorb the counterforce is not necessary. The positioning bushing, which must be inserted into the fixture, serves as a support for the clamping claw. This bushing is included in the scope of delivery and can also be ordered separately as an accessory.

Clamping is achieved by means of an enclosed hexagon screw DIN 933 (ISO 4017).

### Material

#### Bushing

- Case-hardened steel, case-hardened

#### Body

- Case-hardened steel, case-hardened, blackened and ground

#### Disc

- Heat-treated steel, tempered, punched, mechanically trued, phosphatized

#### Spring

- Spring steel wire

#### Clamping screw

- Heat-treated steel

### More information

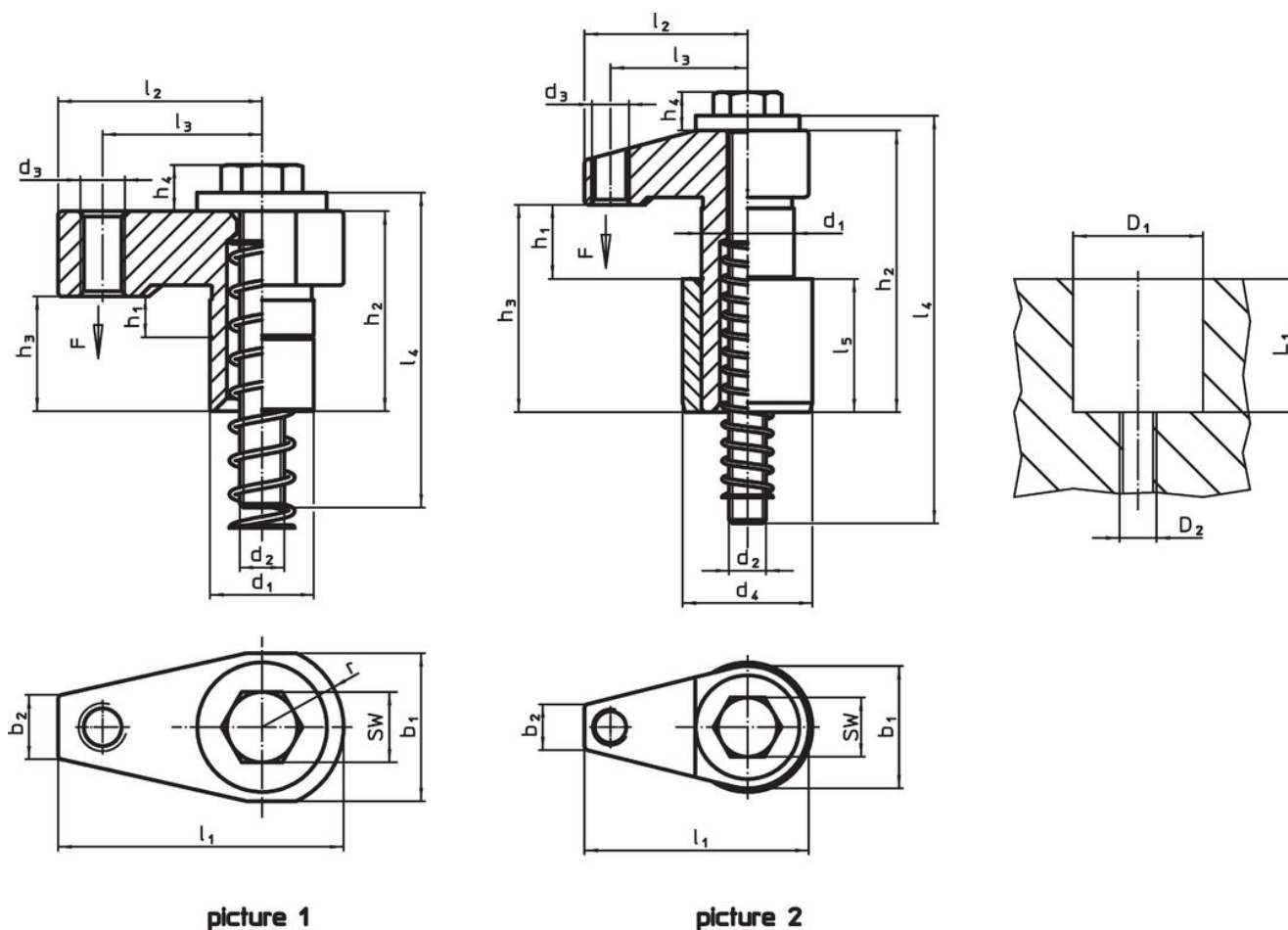
#### Notes

The tightening torque depends on the specific mounting situation.


#### References

The clamping height can be reduced by using clamping inserts, e.g. EH 22730.

### Drawing



Order information

Dimensions															Stroke	WS	Location hole			Clamping force	Tightening torque max.		Art. No.
d <sub>1</sub>	h <sub>1</sub>	b <sub>1</sub>	d <sub>2</sub>	d <sub>3</sub>	d <sub>4</sub> n6	h <sub>2</sub>	h <sub>3</sub>	h <sub>4</sub>	l <sub>1</sub>	l <sub>2</sub>	l <sub>3</sub>	l <sub>4</sub>	l <sub>5</sub>	D1 H7			D2	L1	[kN]				
[mm]															[mm]	[mm]	[mm]						
with positioning bushing – picture 2																							
25	0 – 15	33	M10	M10	35	60	40	11	60.5	43.5	37	90	36	15	16	35	M10	41	7.5	20	483	<a href="#">23370.0140</a>	

Application example





## Compliance

### RoHS compliant

Contains lead - compliant according to exceptions 6a / 6b / 6c.

### Contains SVHC substances >0,1% w/w

Contains lead - SVHC list [REACH] as of 27.06.2024.

### Contains Proposition 65 substances



Lead can cause cancer and reproductive harm from exposure  
<https://www.P65Warnings.ca.gov/>

### Free from Conflict Minerals

This product does not contain any substances designated as "conflict minerals" such as tantalum, tin, gold or tungsten from the Democratic Republic of Congo or adjacent countries.