

Rubber Endstop Buffers · parabolic

25150.0553



Product Description

To be used as an elastic end-stop.
Due to the parabolic form the absorption is first soft and raises progressively.
The hardness is $55 \pm 5^\circ$ shore A. Further shore hardnesses ($40 \pm 5^\circ$ shore A and $70 \pm 5^\circ$ shore A) on request.

Material

Support washer

- Steel, zinc-plated, blue chromated

Threaded bushing

- Steel, zinc-plated, blue chromated

Body

- Rubber natural caoutchouc (NR), black

Screw

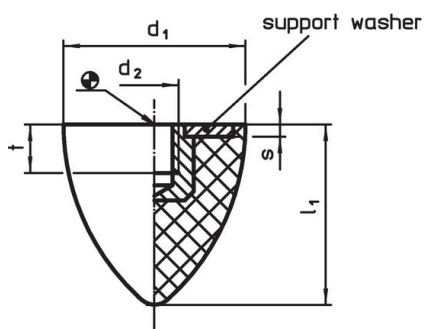
- Steel, zinc-plated, blue chromated

More information

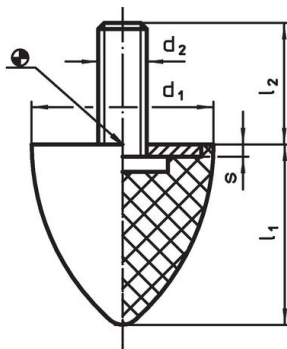
Further products

- Support Legs, impact cushioning

Drawing



picture 1



picture 2

Order information

Dimensions					Average spring range ~ [N/mm]	Load capacity max. [N]	Spring range ~ [mm]	 min. max. [°C]		 [g]	Art. No.
d ₁ ±1.5	l ₁ ±1.5	d ₂	s	t ~							
with female thread – picture 1											
50	68	M10	2	7	50	850	17	-30	80	120	25150.0553

Application example



Compliance

RoHS compliant

Contains lead - compliant according to exceptions 6a / 6b / 6c.

Contains SVHC substances >0,1% w/w

Contains lead - SVHC list [REACH] as of 27.06.2024.

Contains Proposition 65 substances



Lead can cause cancer and reproductive harm from exposure
<https://www.P65Warnings.ca.gov/>

Free from Conflict Minerals

This product does not contain any substances designated as "conflict minerals" such as tantalum, tin, gold or tungsten from the Democratic Republic of Congo or adjacent countries.