

Spring Plungers · with pin and internal hexagon - INCH

2B030.0282



Product Description

To be used for positioning, indexing, locking, latching as well as for other similar pressure applications.
Spring plungers can be used for locating or for applying pressure, as a detent or for ejection.

Material

Pin

- Free cutting steel, hardened, blackened

Body

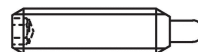
- Free cutting steel, blackened

Spring

- Stainless steel

Characteristic

Heavy spring load: marked with two lines



Standard spring load



Heavy spring load

More information

Notes

Customized design on request.
Spring plungers are specially tested for spring range and forces.

- This product is manufactured in INCH dimensions.

References

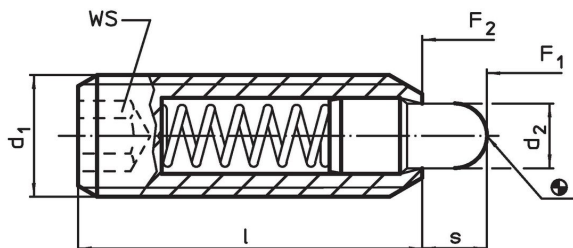
A conversion table can be found in the technical data following these product information pages.

Thread lock: polyamide spot coating (for details please refer to the technical appendix).

Further products

- Spring Plungers, with pin and internal hexagon

Drawing

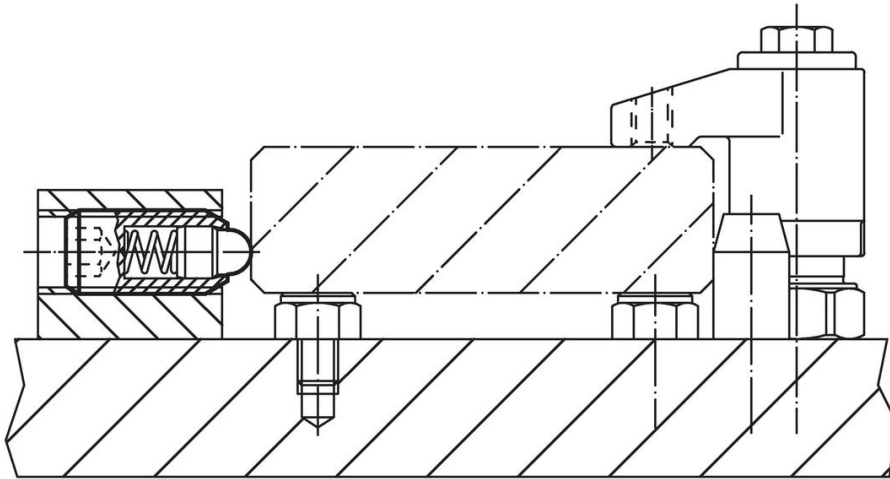


Order information

Dimensions				WS	Stroke s	Spring load ¹⁾		Temperature		oz	Art. No.		
d ₁	Thread	d ₂	l			F ₁ ~	F ₂ ~	min.	max.				
[in]		[in]		[in]	[in]	[lb]	[°F]						
free cutting steel, heavy spring load, With thread lock													
5/8-11	5/8	0.625	2A-UNC	0.31	1 1/2	5/16	0.313	10.5	22.2	-22	194	1.245	2B030.0282

¹⁾ statistical average value

Application example



Compliance

RoHS compliant

Contains lead - compliant according to exceptions 6a / 6b / 6c.

Contains SVHC substances >0,1% w/w

Contains lead - SVHC list [REACH] as of 27.06.2024.

Contains Proposition 65 substances



Lead can cause cancer and reproductive harm from exposure
<https://www.P65Warnings.ca.gov/>

Free from Conflict Minerals

This product does not contain any substances designated as "conflict minerals" such as tantalum, tin, gold or tungsten from the Democratic Republic of Congo or adjacent countries.