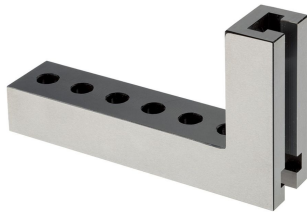


Slotted Clamping Angles

EH 1012.100 - EH 1112.400

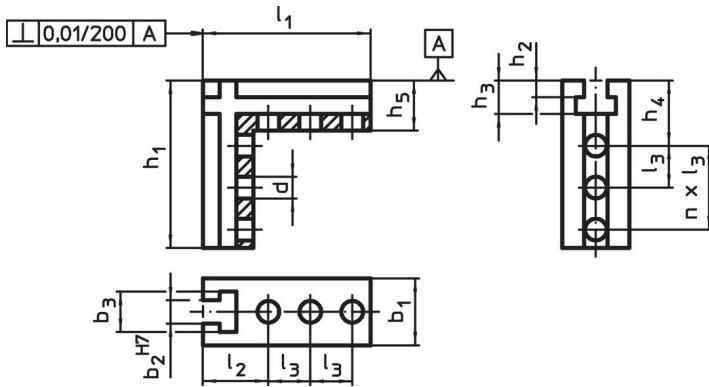


Product Description

Material

- Steel, case-hardened, ground

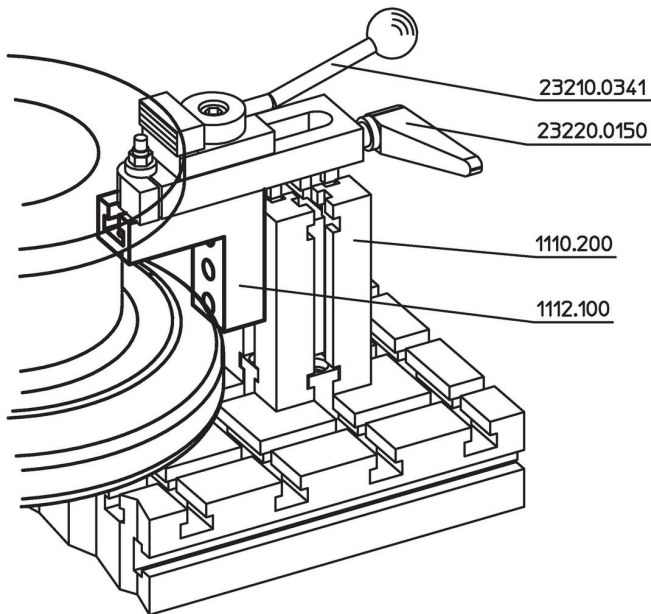
Drawing



Order information

System	Dimensions												Amount n	Weight [g]	Art. No.
	b ₁	h ₁	l ₁	l ₂	l ₃	b ₂	b ₃	h ₂	h ₃	h ₄	h ₅	d			
V40	25	63	63	29	26	10	18	6.5	14.5	29	22	8.25	1	248	1012.100
V40	25	105	63	29	26	10	18	6.5	14.5	45	22	8.25	2	356	1012.200
V40	40	63	63	29	26	10	18	6.5	14.5	29	22	8.25	1	520	1012.300
V40	40	105	63	29	26	10	18	6.5	14.5	45	22	8.25	2	738	1012.400
V70	40	100	100	39	25	14	24	10.0	20.0	39	30	13.00	2	1000	1112.100
V70	40	180	100	39	25	14	24	10.0	20.0	39	30	13.00	5	1468	1112.200
V70	70	100	100	39	25	14	24	10.0	20.0	39	30	13.00	2	2150	1112.300
V70	70	180	100	39	25	14	24	10.0	20.0	39	30	13.00	5	3253	1112.400

Application example



Compliance

RoHS compliant

Compliant according to Directive 2011/65/EU and Directive 2015/863.

Does not contain SVHC substances

No SVHC substances with more than 0.1% w/w contained - SVHC list [REACH] as of 27.06.2024.

Does not contain Proposition 65 substances

No Proposition 65 substances included.

<https://www.P65Warnings.ca.gov/>

Free from Conflict Minerals

This product does not contain any substances designated as "conflict minerals" such as tantalum, tin, gold or tungsten from the Democratic Republic of Congo or adjacent countries.