

Spring Plungers · with moveable ball and internal hexagon

EH 22031.



Product Description

Spring plungers can be used for locating or for applying pressure, as a detent or for ejection. The running of the ball minimises wear on the counterpart, this also results in a positive locking behaviour depending on the counterpart. Another advantage of the plastic ball is the electric insulation.

Material

Body

- Free cutting steel, blackened
- Stainless steel 1.4305

Bearing

- plastic

Ball

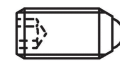
- Ball-bearing steel, hardened
- Stainless steel, hardened

Spring

- Stainless steel

Characteristic

Standard spring load: no marking
Heavy spring load: marked with two lines



Standard spring load



Heavy spring load

More information

Notes

Special types on request.
Spring plungers are specially tested for spring range and forces.

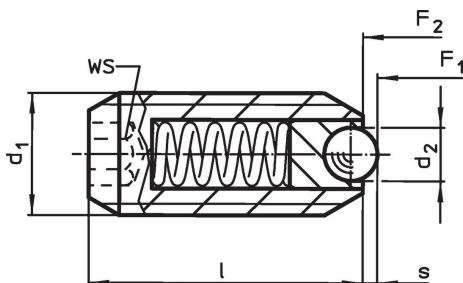
References

Thread lock on request, please refer to appendix - Technical Data -
Calculation of indexing resistance, please refer to appendix - Technical Data -

Further products

- Locators, with bore hole, for spring plungers
- Locators, smooth, for spring plungers
- Holders, for spring plungers

Drawing



Order information

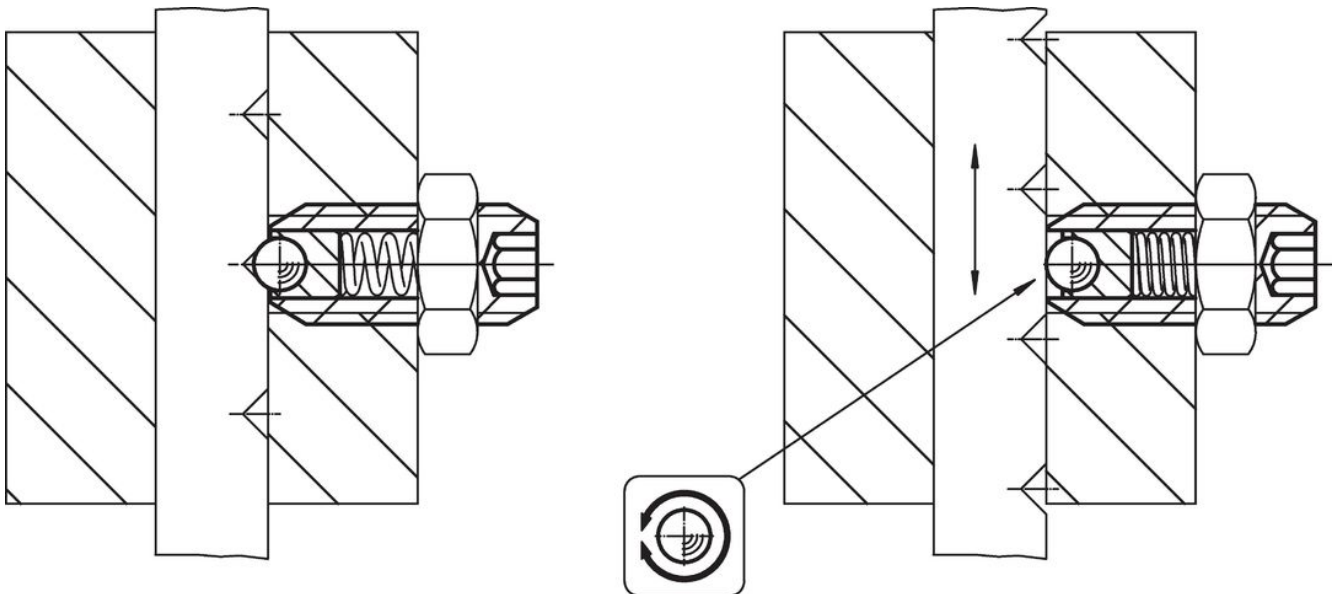
Dimensions			WS	Stroke s	Spring load ¹⁾		min. max.		[g]	Art. No.
d ₁	d ₂	l			F ₁ ~	F ₂ ~	[°C]			
[mm]			[mm]	[mm]	[N]					
free cutting steel, standard spring load										
M 5	2.0	14	2.5	0.50	4.8	6.8	-30	90	1.0	22031.0005
M 6	2.5	15	3.0	0.70	6.3	10.0	-30	90	1.6	22031.0006
M 8	3.5	18	4.0	0.95	16.0	24.0	-30	90	3.7	22031.0008
M10	4.5	23	5.0	1.40	18.8	31.7	-30	90	7.4	22031.0010
M12	6.5	26	6.0	2.50	24.0	49.0	-30	90	11.0	22031.0012
M16	8.5	33	8.0	3.10	38.0	68.0	-30	90	30.0	22031.0016

¹⁾ statistical average value

Dimensions			WS [mm]	Stroke s [mm]	Spring load ¹⁾		min. max.		[g]	Art. No.
d ₁	d ₂	l			F ₁ ~ [N]	F ₂ ~ [N]	[°C]			
[mm]										
free cutting steel, heavy spring load										
M 5	2.0	14	2.5	0.50	10.0	14.0	-30	90	1.1	22031.0045
M 6	2.5	15	3.0	0.70	11.0	16.0	-30	90	1.6	22031.0046
M 8	3.5	18	4.0	0.95	23.0	40.0	-30	90	3.7	22031.0048
M10	4.5	23	5.0	1.40	28.0	54.3	-30	90	7.4	22031.0050
M12	6.5	26	6.0	2.50	36.5	77.3	-30	90	12.0	22031.0052
M16	8.5	33	8.0	3.10	50.0	88.7	-30	90	30.0	22031.0056
stainless steel, standard spring load										
M 5	2.0	14	2.5	0.50	4.8	6.8	-30	90	1.1	22031.0205
M 6	2.5	15	3.0	0.70	6.3	10.0	-30	90	1.6	22031.0206
M 8	3.5	18	4.0	0.95	16.0	24.0	-30	90	3.7	22031.0208
M10	4.5	23	5.0	1.40	18.8	31.7	-30	90	7.5	22031.0210
M12	6.5	26	6.0	2.50	24.0	49.0	-30	90	11.0	22031.0212
M16	8.5	33	8.0	3.10	38.0	68.0	-30	90	30.0	22031.0216
stainless steel, heavy spring load										
M 5	2.0	14	2.5	0.50	10.0	14.0	-30	90	1.1	22031.0245
M 6	2.5	15	3.0	0.70	11.0	16.0	-30	90	1.6	22031.0246
M 8	3.5	18	4.0	0.95	23.0	40.0	-30	90	3.7	22031.0248
M10	4.5	23	5.0	1.40	28.0	54.3	-30	90	7.4	22031.0250
M12	6.5	26	6.0	2.50	36.5	77.3	-30	90	11.0	22031.0252
M16	8.5	33	8.0	3.10	50.0	88.7	-30	90	31.0	22031.0256

¹⁾ statistical average value

Application example



Compliance

For detailed compliance information please select the desired article number.