

Spring Plungers · with pin and slot

EH 22050.



Product Description

Spring plungers can be used for locating or for applying pressure, as a detent or for ejection.

Material

Pin

- Free cutting steel, hardened, blackened
- Stainless Steel 1.4305, nitrided

Body

- Free cutting steel, blackened
- Stainless steel 1.4305

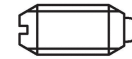
Spring

- Stainless steel

Characteristic

Standard spring load: no marking

Heavy spring load: marked with two lines



Standard spring load

Heavy spring load

More information

Notes

Special types on request.

Spring plungers are specially tested for spring range and forces.

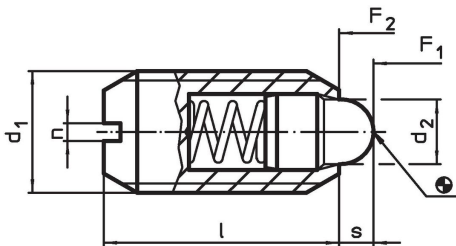
References

Thread lock on request, please refer to appendix - Technical Data -

Further products

- Holders, for spring plungers
- Spring Plungers, with pin and slot - INCH

Drawing



Order information

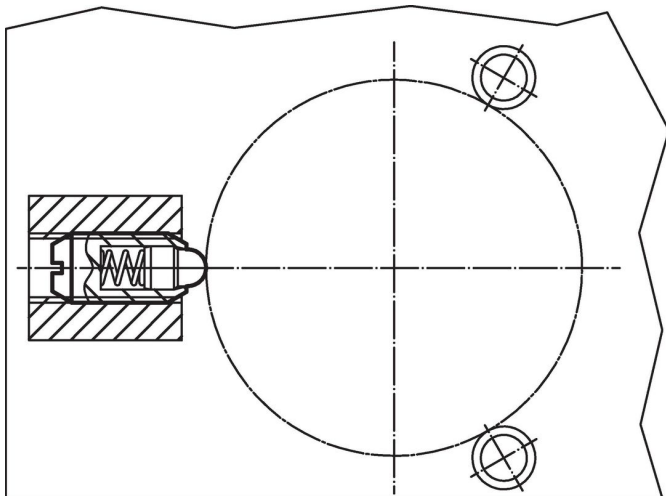
Dimensions				Stroke s [mm]	Spring load ¹⁾		max. [°C]	[g]	Art. No.
d ₁	d ₂	l	n		F ₁ ~ [N]	F ₂ ~ [N]			
[mm]									
free cutting steel, standard spring load									
M 4	1.8	9	0.6	1.5	4.5	12.5	250	0.4	22050.0104
M 5	2.4	12	0.8	2.0	5.0	13.0	250	1.1	22050.0105
M 6	2.7	14	1.0	2.0	6.0	17.0	250	1.8	22050.0106
M 8	3.8	16	1.2	2.0	16.0	33.0	250	3.7	22050.0108
M10	4.5	19	1.5	2.5	19.0	42.0	250	7.0	22050.0110
M12	6.2	22	2.0	3.5	22.0	57.0	250	11.0	22050.0112
M16	8.5	24	2.0	4.5	38.0	78.0	250	22.0	22050.0116
M20	10.0	30	2.5	6.5	39.0	81.0	250	45.0	22050.0120
M24	13.0	34	3.0	8.0	72.0	155.0	250	72.0	22050.0124
free cutting steel, heavy spring load									
M 6	2.7	14	1.0	2.0	11.0	25.0	250	1.8	22050.0306
M 8	3.8	16	1.2	2.0	23.0	59.0	250	3.8	22050.0308
M10	4.5	19	1.5	2.5	20.0	54.0	250	7.0	22050.0310

¹⁾ statistical average value

d ₁	Dimensions			Stroke s [mm]	Spring load ¹⁾		max. [°C]	[g]	Art. No.
	d ₂	l	n		F ₁ ~ [N]	F ₂ ~ [N]			
M12	6.2	22	2.0	3.5	38.0	96.0	250	11.0	22050.0312
M16	8.5	24	2.0	4.5	50.0	100.0	250	22.0	22050.0316
M20	10.0	30	2.5	6.5	52.0	133.0	250	46.0	22050.0320
M24	13.0	34	3.0	8.0	91.0	223.0	250	73.0	22050.0324
stainless steel, standard spring load									
M 4	1.8	9	0.6	1.5	4.5	12.5	250	0.4	22050.0504
M 5	2.4	12	0.8	2.0	5.0	13.0	250	1.1	22050.0505
M 6	2.7	14	1.0	2.0	6.0	17.0	250	1.8	22050.0506
M 8	3.8	16	1.2	2.0	16.0	33.0	250	3.8	22050.0508
M10	4.5	19	1.5	2.5	19.0	42.0	250	7.0	22050.0510
M12	6.2	22	2.0	3.5	22.0	57.0	250	11.0	22050.0512
M16	8.5	24	2.0	4.5	38.0	78.0	250	22.0	22050.0516
M20	10.0	30	2.5	6.5	39.0	81.0	250	46.0	22050.0520
M24	13.0	34	3.0	8.0	72.0	155.0	250	73.0	22050.0524
stainless steel, heavy spring load									
M 6	2.7	14	1.0	2.0	11.0	25.0	250	1.8	22050.0706
M 8	3.8	16	1.2	2.0	23.0	59.0	250	3.8	22050.0708
M10	4.5	19	1.5	2.5	20.0	54.0	250	7.0	22050.0710
M12	6.2	22	2.0	3.5	38.0	96.0	250	11.0	22050.0712
M16	8.5	24	2.0	4.5	50.0	100.0	250	23.0	22050.0716
M20	10.0	30	2.5	6.5	52.0	133.0	250	46.0	22050.0720
M24	13.0	34	3.0	8.0	91.0	223.0	250	74.0	22050.0724

¹⁾ statistical average value

Application example



Compliance

For detailed compliance information please select the desired article number.