

Index Plungers • for thin-walled pieces

EH 22120.



Product Description

Index plungers with throughgoing bore for thin-walled pieces.

Material

Body

- Steel, zinc-plated by galvanization

Locking pin

- Stainless steel 1.4305, nickel-plated

Knob

- Thermoplastic PA 6, black, dull

Assembly

By means of a fastening collet, the index plungers can be mounted into pieces having a wall thickness of 1-5 mm.

Operation

When using the self-locking type, the knob is pulled-out, turned 90° and secured by a notched catch. Depending on the clamping length, the bolt may overhang.

More information

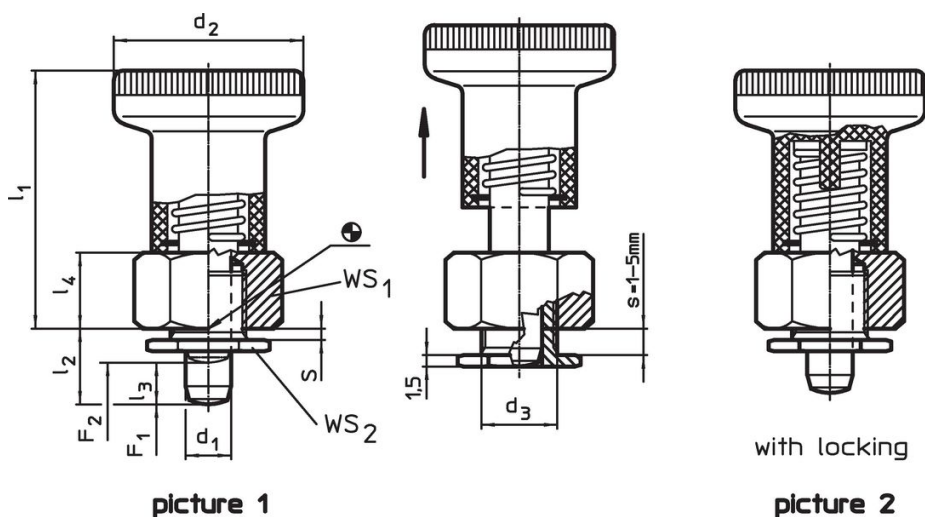
Notes

Knob not removable.

Further products

- Locating Bushings, for index bolts and index plungers

Drawing





Order information

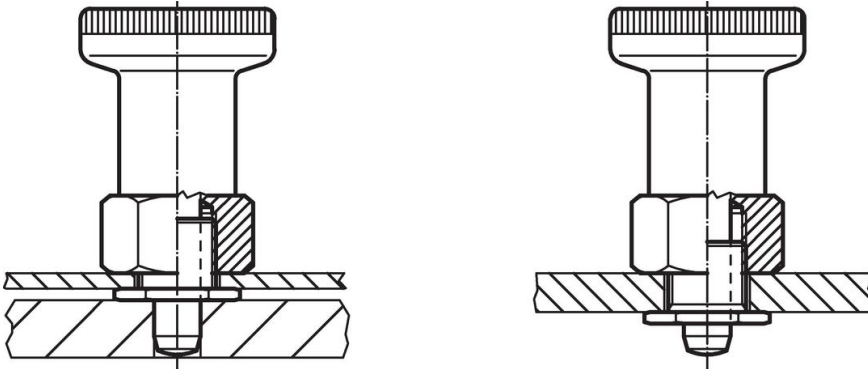
Dimensions								WS ₁	WS ₂	Spring load ¹⁾		min. max.		[g]	Art. No.
d ₁	l ₂	d ₂	d ₃	l ₁	l ₃	l ₄	s	[mm]	[mm]	F ₁	F ₂	[°C]	[g]		
-0.02 -0.05															
without locking – picture 1															
6	8.5	25	10	34	6.0	10	1-5	17	14	8.5	22	-30	80	39	22120.0266
6	10.5	25	10	34	6.0	10	1-5	17	14	8.5	22	-30	80	40	22120.0267
8	10.0	31	12	40	7.5	12	1-5	19	16	15.5	28	-30	80	63	22120.0268
8	12.0	31	12	40	7.5	12	1-5	19	16	15.5	28	-30	80	63	22120.0269
with locking – picture 2															
6	8.5	25	10	34	6.0	10	1-5	17	14	8.5	22	-30	80	39	22120.0286
6	10.5	25	10	34	6.0	10	1-5	17	14	8.5	22	-30	80	39	22120.0287
8	10.0	31	12	40	7.5	12	1-5	19	16	15.5	28	-30	80	61	22120.0288
8	12.0	31	12	40	7.5	12	1-5	19	16	15.5	28	-30	80	62	22120.0289

¹⁾ statistical average value

Accessories

	 [g]	Art. No.
Ring spanner, flat		
	26	22120.0299

Application example



Compliance

For detailed compliance information please select the desired article number.