

## Index Plungers · with hexagon collar and locking

### EH 22120.



#### Product Description

Index plungers are used for indexing bores.

#### Material

##### Body

- Free cutting steel, blackened
- Stainless steel 1.4305

##### Locking pin

- Steel, hardened
- Stainless steel 1.4305, nickel-plated

##### Knob

- Thermoplastic PA 6, black, dull

#### Assembly

The screw length can be adapted by distance collars for index plungers (EH 22120.).

#### Operation

The knob is pulled-out, turned 90° and secured by a notched catch (when locking pin should not overhang).

#### More information

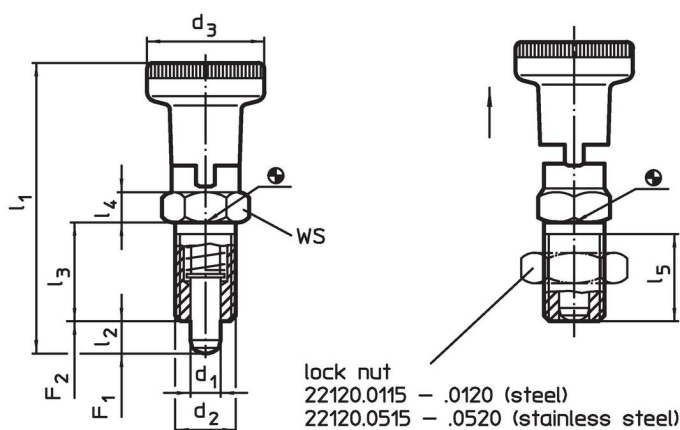
#### Notes

Knob not removable.  
Lock nuts have to be purchased separately.

#### Further products

- Mounting Blocks, for index bolts and index plungers, die-cast
- Locating Bushings, for index bolts and index plungers
- Distance Collars, for index plungers

#### Drawing






#### Order information

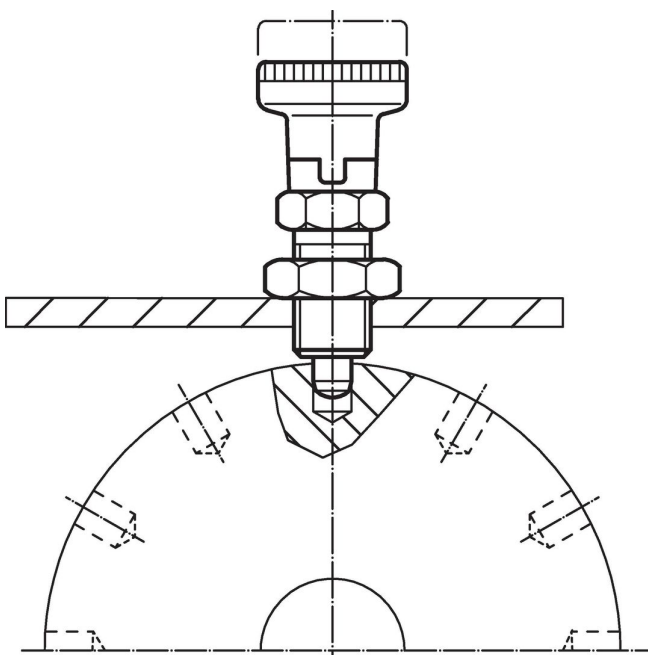
Dimensions								WS	Spring load <sup>1)</sup>		Temperature		Weight [g]	Art. No.			
d <sub>1</sub>	d <sub>2</sub>	d <sub>3</sub>	l <sub>1</sub>	l <sub>2</sub> min.	l <sub>3</sub>	l <sub>4</sub>	l <sub>5</sub> min.		F <sub>1</sub>	F <sub>2</sub>	min.	max.					
-0.02 -0.05			~					~	~	[°C]							
[mm]															[N]	[°C]	[g]
<b>Free cutting steel</b>																	
5	M10 x 1	21	51.0	5	17	5	15	12	6.0	14	-30	80	21	22120.0205			
6	M12 x 1,5	25	61.0	6	20	6	17	14	6.5	19	-30	80	36	22120.0206			
8	M16 x 1,5	31	75.5	7	26	8	23	19	11.5	28	-30	80	79	22120.0208			
10	M20 x 1,5	31	91.0	10	33	10	30	22	28.0	54	-30	80	134	22120.0210			
<b>Stainless steel</b>																	
5	M10 x 1	21	51.0	5	17	5	15	12	6.0	14	-30	80	21	22120.0605			
6	M12 x 1,5	25	61.0	6	20	6	17	14	6.5	19	-30	80	36	22120.0606			
8	M16 x 1,5	31	75.5	7	26	8	23	19	11.5	28	-30	80	79	22120.0608			
10	M20 x 1,5	31	91.0	10	33	10	30	22	28.0	54	-30	80	134	22120.0610			

<sup>1)</sup> statistical average value

## Accessories

	Dimensions $d_2$ [mm]	Wrench size [mm]	 [g]	Art. No.
<b>Lock nuts ISO 8675 (DIN 439), Steel</b>				
	M10 x 1	16	5.2	<a href="#">22120.0115</a>
	M12 x 1,5	18	7.5	<a href="#">22120.0116</a>
	M16 x 1,5	24	15.0	<a href="#">22120.0118</a>
	M20 x 1,5	30	32.0	<a href="#">22120.0120</a>
<b>Lock nuts ISO 8675 (DIN 439), Stainless steel</b>				
	M10 x 1	16	5.2	<a href="#">22120.0515</a>
	M12 x 1,5	18	7.5	<a href="#">22120.0516</a>
	M16 x 1,5	24	15.0	<a href="#">22120.0518</a>
	M20 x 1,5	30	32.0	<a href="#">22120.0520</a>

## Application example



## Compliance

For detailed compliance information please select the desired article number.