

Index Bolts • simple finish

EH 22121.



Product Description

Index bolts are used for indexing purposes. Application limited for cases in which no precise positioning is needed. The high stroke of the pin enables for a variety of applications, e.g. as door bolt. Simple version in compact design.

Material

Body

- Free cutting steel, zinc-plated by galvanization

Locking pin

- Steel, zinc-plated by galvanization

Lock nut

- Steel, zinc-plated by galvanization

Operation

By lifting the index bolt the locking pin will be pulled in. The turning of the index bolt positions the pin when it is pulled in.

More information

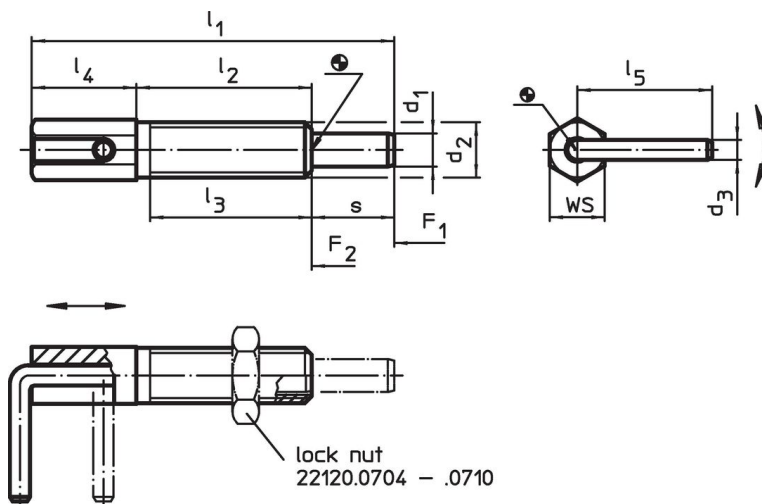
Notes

Lock nuts have to be purchased separately.

Further products

- Locating Bushings, for index bolts and index plungers

Drawing





Order information

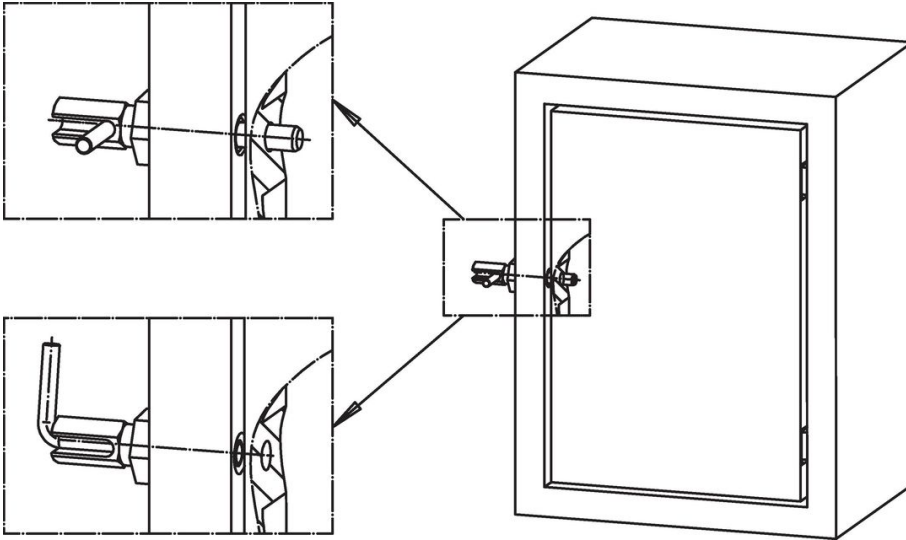
Dimensions									WS	Spring load ¹⁾		Tightening torque max.	max.		Art. No.
d ₁	d ₂	d ₃	l ₁	l ₂	l ₃	l ₄	l ₅	s		F ₁ ~	F ₂ ~				
[mm]									[mm]	[N]		[Nm]	[°C]	[g]	
4	M 6	2.3	41.5	20.0	17.0	12.0	15.5	9.5	6	3.0	10.0	1.6	250	5.9	22121.0105
5	M 8	3.0	54.0	27.0	24.0	15.0	19.2	12.0	8	3.5	13.5	4.5	250	14.0	22121.0110
6	M10	3.5	65.0	33.5	30.0	17.5	22.9	14.0	10	4.0	16.0	10.0	250	26.0	22121.0115
8	M12	4.7	73.0	31.8	28.0	22.2	31.2	19.0	12	4.0	22.0	13.0	250	43.0	22121.0120
10	M16	4.7	102.5	50.5	44.5	27.0	32.7	25.0	16	4.0	23.0	42.0	250	104.0	22121.0125

¹⁾ statistical average value

Accessories

	Dimensions d ₂ [mm]	Wrench size [mm]	 [g]	Art. No.
Steel				
	M 6	10	1.3	22120.0704
	M 8	13	2.8	22120.0705
	M10	16	5.3	22120.0706
	M12	18	7.6	22120.0708
	M16	24	18.0	22120.0710

Application example



Compliance

For detailed compliance information please select the desired article number.