

Lateral Plungers · with thread, with seal, with female thread

EH 22150.



Product Description

To be used for positioning and applying pressure, e.g. during painting and sandblasting. Sealed against chips and dirt.

Material

Seal

- CR

Body

- Steel, zinc-plated

Threaded washer

- Steel, blackened

Spring

- Stainless steel
- Steel, blackened
- Steel, zinc-plated by galvanization

Assembly

Formula for calculating the center distance for the mounting hole:

$$l_0 = z/2 + w + x,$$

l_0 = center distance,

y = workpiece height,

w = workpiece length,

x = stroke,

z = stop diameter

Calculation dimension x for workpieces:

$$x = d_2/2 - s$$

Lateral plungers are installed by screwing in by means of a mounting tool.

Characteristic

Version light spring load = spring from stainless steel

Version standard spring load = spring from steel, blackened

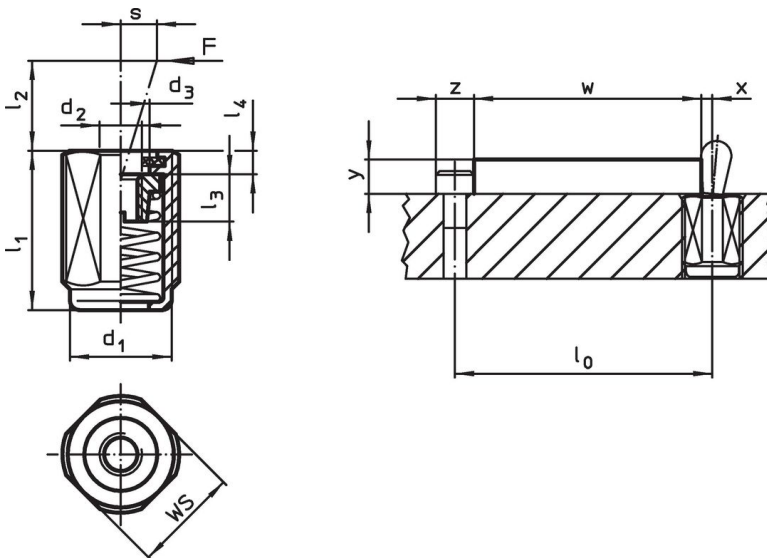
Version heavy spring load = spring from steel, zinc-plated by galvanization

More information

Notes

Individual set screws can be screwed in the plate with threaded hole.

Drawing




Order information

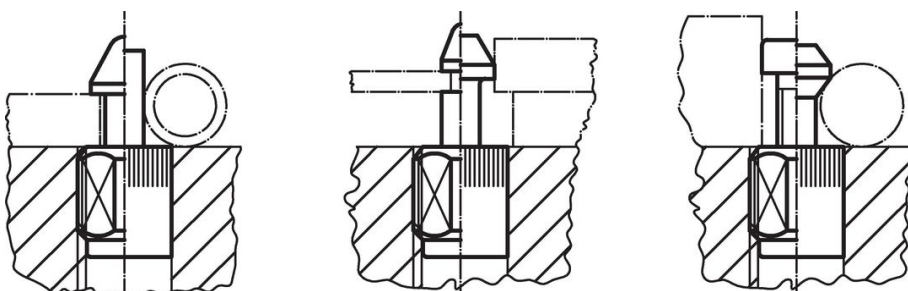
Dimensions		Spring load F max. ¹⁾ ~ [N]	d ₂	Dimensions				Stroke s [mm]	WS [mm]	max. [°C]	[g]	Art. No.
d ₁ [mm]	l ₁ -2			d ₃	l ₂	l ₃	l ₄					
Light spring load												
M12	11.5	20	M4	6.1	6	4.5	2.0	0.8	10	110	3.0	22150.1410
M12	19.0	20	M4	6.1	6	4.5	2.0	0.8	10	110	4.9	22150.1414
M12	26.5	20	M4	6.1	6	4.5	2.0	0.8	10	110	6.7	22150.1418
M12	11.5	40	M4	6.1	10	4.5	2.0	1.0	10	110	3.1	22150.1430
M12	19.0	40	M4	6.1	10	4.5	2.0	1.0	10	110	5.1	22150.1434
M12	26.5	40	M4	6.1	10	4.5	2.0	1.0	10	110	6.8	22150.1438
M18 x 1,5	18.0	100	M6	10.1	16	7.5	2.3	1.6	16	110	15.0	22150.1450
M18 x 1,5	31.5	100	M6	10.1	16	7.5	2.3	1.6	16	110	23.0	22150.1454
M18 x 1,5	45.0	100	M6	10.1	16	7.5	2.3	1.6	16	110	32.0	22150.1458
Standard spring load												
M12	11.5	50	M4	6.1	6	4.5	2.0	0.8	10	110	3.3	22150.1411
M12	19.0	50	M4	6.1	6	4.5	2.0	0.8	10	110	5.4	22150.1415
M12	26.5	50	M4	6.1	6	4.5	2.0	0.8	10	110	7.3	22150.1419
M12	11.5	75	M4	6.1	10	4.5	2.0	1.0	10	110	3.3	22150.1431
M12	19.0	75	M4	6.1	10	4.5	2.0	1.0	10	110	5.5	22150.1435
M12	26.5	75	M4	6.1	10	4.5	2.0	1.0	10	110	7.4	22150.1439
M18 x 1,5	18.0	150	M6	10.1	16	7.5	2.3	1.6	16	110	14.0	22150.1451
M18 x 1,5	31.5	150	M6	10.1	16	7.5	2.3	1.6	16	110	23.0	22150.1455
M18 x 1,5	45.0	150	M6	10.1	16	7.5	2.3	1.6	16	110	32.0	22150.1459
Heavy spring load												
M12	11.5	100	M4	6.1	6	4.5	2.0	0.8	10	110	3.5	22150.1412
M12	19.0	100	M4	6.1	6	4.5	2.0	0.8	10	110	5.8	22150.1416
M12	26.5	100	M4	6.1	6	4.5	2.0	0.8	10	110	8.0	22150.1420
M12	11.5	100	M4	6.1	10	4.5	2.0	1.0	10	110	3.5	22150.1432
M12	19.0	100	M4	6.1	10	4.5	2.0	1.0	10	110	6.2	22150.1436
M12	26.5	100	M4	6.1	10	4.5	2.0	1.0	10	110	8.6	22150.1440
M18 x 1,5	18.0	200	M6	10.1	16	7.5	2.3	1.6	16	110	15.0	22150.1452
M18 x 1,5	31.5	200	M6	10.1	16	7.5	2.3	1.6	16	110	23.0	22150.1456
M18 x 1,5	45.0	200	M6	10.1	16	7.5	2.3	1.6	16	110	32.0	22150.1460

¹⁾ statistical average value

Accessories

	Dimensions d ₁ [mm]	[g]	Art. No.
assembly tool			
	M12	76	22150.0820
	M18 x 1,5	137	22150.0822

Application example



Compliance

For detailed compliance information please select the desired article number.