

## Clamping Catches

EH 22260.



### Product Description

Clamping catches have a round running taper surface and enable fast and safe clamping and releasing with a relatively large adjustment range and high tensioning force. Due to the small gradient angle of the taper surface, the clamping catch is self-locking.

### Material

#### Body

- Steel, case-hardened, blackened
- Stainless steel 1.4305, nickel-plated

#### Screw

- Steel, nitrided
- Stainless steel 1.4021, heat-treated, nickel-plated

#### Gear lever handle

- Steel, ground, blackened
- Stainless steel 1.4305, dull blasted

#### Ball knob

- Thermosetting plastic PF 31, black, DIN 319

### Assembly

Fix with screw bolt M 10 (WS 6). Ensure a tightening torque of max. 40 Nm.

### Operation

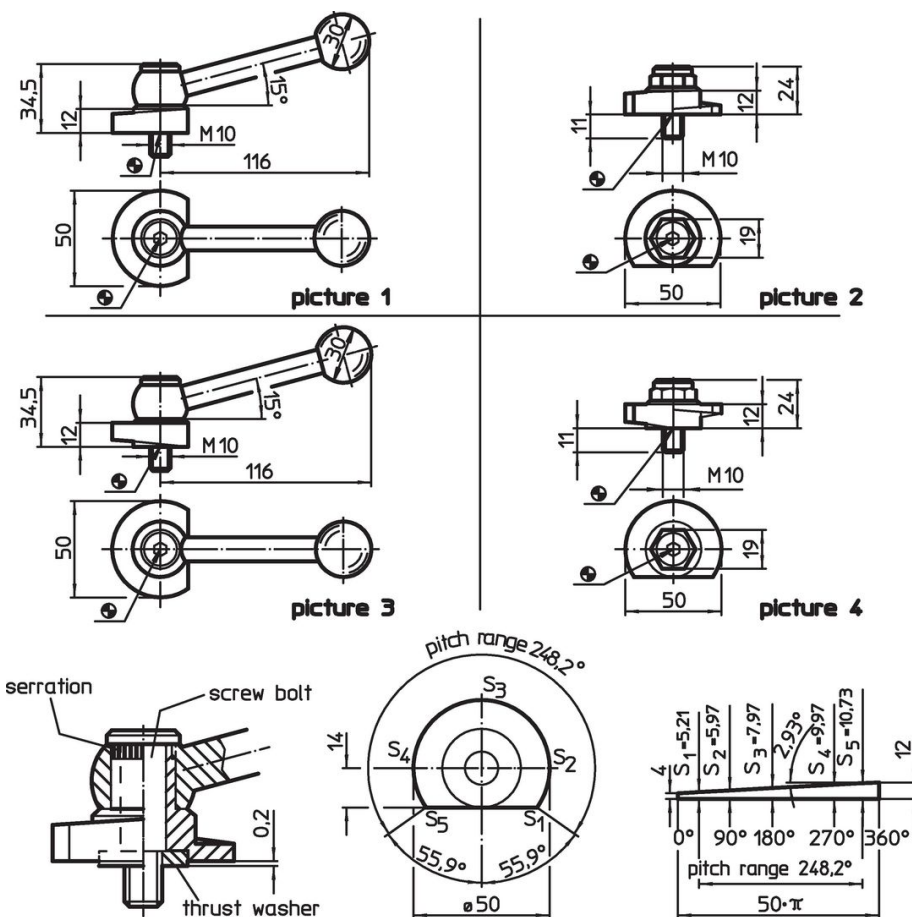
The screw bolt and the washer are adjustable. Once screwed in, the clamping catch can easily be turned to the desired position. For Art. No. 22260.0250 / .0251 and 22260.0450 / .0451, the serration helps to put the tension lever to the preferred position.

### More information


### Notes

Left turn type can be supplied on request.

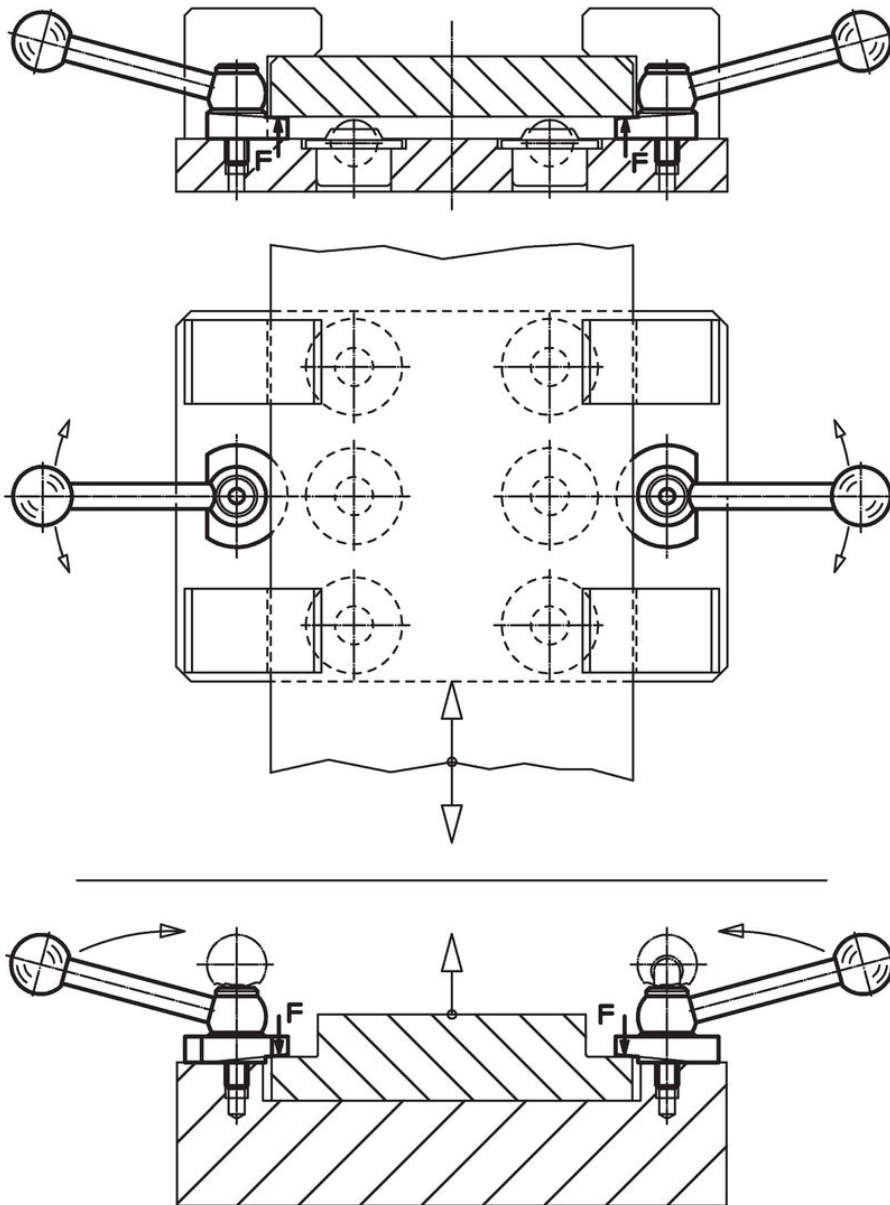
### Drawing



Order information

Tightening torque max. [Nm]	 [g]	Art. No.
<b>with adjustable tension lever, pitch opposite to bearing surface – picture 1, Steel</b>		
40	304	<a href="#">22260.0250</a>
<b>with adjustable tension lever, pitch opposite to bearing surface – picture 1, Stainless steel</b>		
40	304	<a href="#">22260.0251</a>
<b>with clamping screw, pitch opposite to bearing surface – picture 2, Steel</b>		
40	154	<a href="#">22260.0350</a>
<b>with clamping screw, pitch opposite to bearing surface – picture 2, Stainless steel</b>		
40	154	<a href="#">22260.0351</a>
<b>with adjustable tension lever, pitch on bearing surface – picture 3, Steel</b>		
40	312	<a href="#">22260.0450</a>
<b>with adjustable tension lever, pitch on bearing surface – picture 3, Stainless steel</b>		
40	312	<a href="#">22260.0451</a>
<b>with clamping screw, pitch on bearing surface – picture 4, Steel</b>		
40	154	<a href="#">22260.0550</a>
<b>with clamping screw, pitch on bearing surface – picture 4, Stainless steel</b>		
40	154	<a href="#">22260.0551</a>

Application example



Compliance

For detailed compliance information please select the desired article number.