

Locating Pins • DIN 6321

EH 22630.



Product Description

Cylindric locating pins (DIN 6321, form B) for locating workpieces in toleranced holes and also to be used as stops and feet.
Flattened locating pin (DIN 6321, form C) used to overcome differences in tolerances, between holes or to position an element in one direction only.
The bearing surface of the seating pin has no centre (picture 1). A centre is permitted for the seating pins (picture 2 and 3) according to DIN 6321.

Material

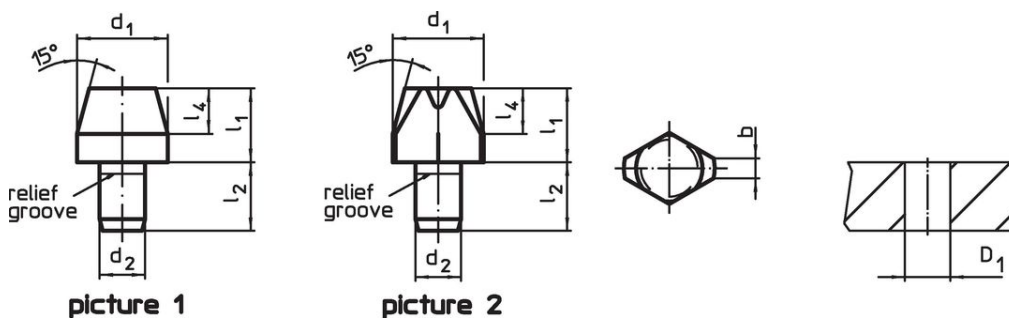
- Tool steel, hardened, ground

More information

Further products


- Locating Pins, with bore hole similar to DIN 6321
- Locating Pins, with ball end

Drawing

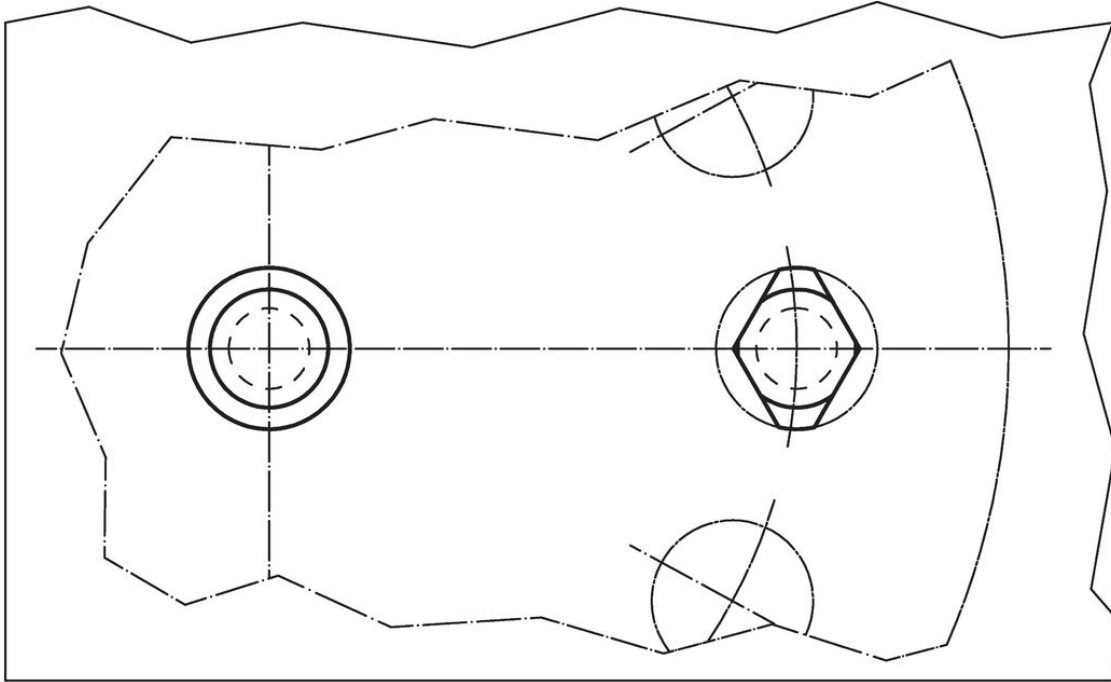


Order information

Dimensions						Location hole		Art. No.
d ₁ g6	l ₁	b [mm]	d ₂ n6	l ₂	l ₄	D ₁ H7 [mm]	[g]	
locating pin, cylindric, DIN 6321, form B – picture 1								
6	7	–	4	6	4	4	1.7	22630.0020
6	12	–	4	6	4	4	3.0	22630.0021
8	10	–	6	9	6	6	4.9	22630.0022
8	16	–	6	9	6	6	8.0	22630.0023
10	10	–	6	9	6	6	6.9	22630.0024
10	18	–	6	9	6	6	12.0	22630.0025
12	10	–	6	9	6	6	10.0	22630.0026
12	18	–	6	9	6	6	17.0	22630.0027
16	13	–	8	12	8	8	22.0	22630.0028
16	22	–	8	12	8	8	36.0	22630.0029
20	15	–	12	18	9	12	58.0	22630.0030
20	25	–	12	18	9	12	73.0	22630.0031
25	15	–	12	18	9	12	66.0	22630.0032
25	25	–	12	18	9	12	106.0	22630.0033
locating pin, flattened, DIN 6321, form C – picture 2								
6	7	1.0	4	6	4	4	1.3	22630.0040
6	12	1.0	4	6	4	4	2.2	22630.0041
8	10	1.6	6	9	6	6	4.0	22630.0042
8	16	1.6	6	9	6	6	5.5	22630.0043
10	10	2.5	6	9	6	6	5.6	22630.0044
10	18	2.5	6	9	6	6	8.9	22630.0045
12	10	2.5	6	9	6	6	7.0	22630.0046
12	18	2.5	6	9	6	6	11.0	22630.0047
16	13	3.5	8	12	8	8	17.0	22630.0048
16	22	3.5	8	12	8	8	26.0	22630.0049

d ₁ g6	l ₁	Dimensions				l ₄	Location hole D ₁ H7 [mm]	 [g]	Art. No.
		b	d ₂ n6	l ₂	l ₃				
20	15	5.0	12	18	9	12	39.0	22630.0050	
20	25	5.0	12	18	9	12	55.0	22630.0051	
25	15	5.0	12	18	9	12	49.0	22630.0052	
25	25	5.0	12	18	9	12	72.0	22630.0053	

Application example



Compliance

RoHS compliant

Compliant according to Directive 2011/65/EU and Directive 2015/863.

Does not contain SVHC substances

No SVHC substances with more than 0.1% w/w contained - SVHC list [REACH] as of 27.06.2024.

Does not contain Proposition 65 substances

No Proposition 65 substances included.
<https://www.P65Warnings.ca.gov/>

Free from Conflict Minerals

This product does not contain any substances designated as "conflict minerals" such as tantalum, tin, gold or tungsten from the Democratic Republic of Congo or adjacent countries.