

## Compact Spherical Washers / Conical Seats • similar to DIN 6319

EH 23050.



### Product Description

The compact spherical washer / conical seat is a permanently fastened component of spherical washer and conical seat offering the following benefits:

- Function-safety,
- Secured against loss,
- Quick and rational assembly,
- Simplified stock holding,
- Swiveling range max. 4°.

### Material

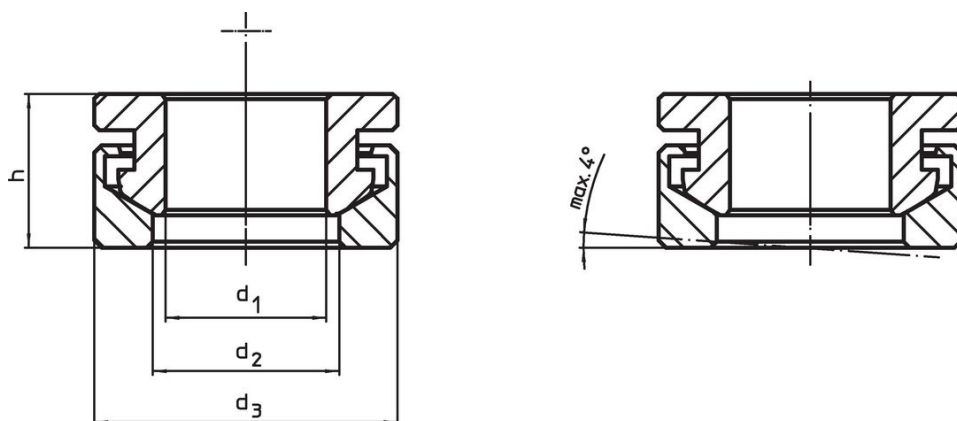
#### Conical seat

- Heat-treated steel, tempered
- Stainless steel 1.4305

#### Spherical washer

- Case-hardened steel, case-hardened
- Stainless steel 1.4305

### Drawing



### Order information

d <sub>1</sub> H13	Dimensions			For pin d <sub>6</sub> [mm]	For screws d <sub>6</sub> [mm]	Load capacity for static load max. [kN]	Torque for screwed connections <sup>1)</sup> max. [Nm]	[g]	Art. No.
	d <sub>2</sub>	d <sub>3</sub>	h						
<b>Heat-treated steel</b>									
6.4	7.4	13	7.0	6	M 6	9	10	4.0	23050.0506
8.4	9.7	17	8.5	8	M 8	17	25	9.1	23050.0508
10.5	12.0	21	10.4	10	M10	26	46	17.0	23050.0510
13.0	14.8	25	13.1	12	M12	38	82	28.0	23050.0512
17.0	19.7	32	17.0	16	M16	73	206	60.0	23050.0516
21.0	24.6	40	20.3	20	M20	117	407	113.0	23050.0520
<b>Stainless steel</b>									
6.4	7.4	13	7.0	6	M 6	6	6	4.0	23050.0556
8.4	9.7	17	8.5	8	M 8	12	16	9.1	23050.0558
10.5	12.0	21	10.4	10	M10	16	32	17.0	23050.0560
13.0	14.8	25	13.1	12	M12	24	56	28.0	23050.0562
17.0	19.7	32	17.0	16	M16	45	135	60.0	23050.0566
21.0	24.6	40	20.3	20	M20	71	280	113.0	23050.0570

<sup>1)</sup> Torques of screws with standard thread, eventual pre-loads to be considered, coefficient of friction  $\mu_{total}$  0.14.

Application example



Compliance

For detailed compliance information please select the desired article number.