

Base Elements • for location hole

EH 23700.



Product Description

Material

Body

- Steel, blackened

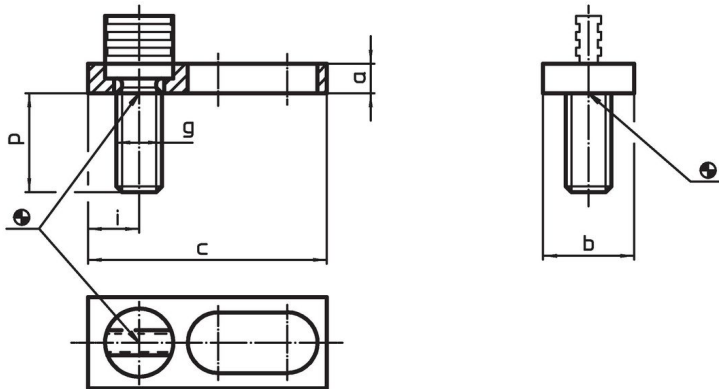
Wearing parts

- Heat-treated steel


Pull-rod

- Special steel

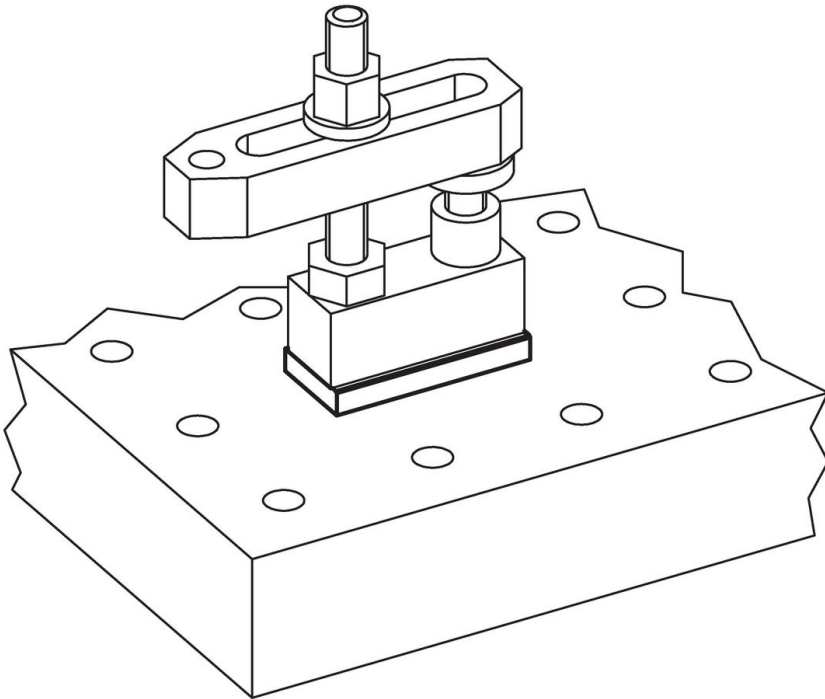
Drawing



Order information

			Dimensions			 [g]	Art. No.
a	b	c	g [mm]	i	p		
8	25	65	M12	12.5	27	95	23700.0712
12	30	78	M16	14.0	33	194	23700.0716

Application example



Compliance

RoHS compliant

Compliant according to Directive 2011/65/EU and Directive 2015/863.

Does not contain SVHC substances

No SVHC substances with more than 0.1% w/w contained - SVHC list [REACH] as of 27.06.2024.

Does not contain Proposition 65 substances

No Proposition 65 substances included.

<https://www.P65Warnings.ca.gov/>

Free from Conflict Minerals

This product does not contain any substances designated as "conflict minerals" such as tantalum, tin, gold or tungsten from the Democratic Republic of Congo or adjacent countries.