

Crank Handles · with folding handle, stainless steel

EH 24331.



Product Description

Material

Axle part

- Stainless steel 1.4305

Handle

- Thermoplastic, black, dull

Handle body

- Aluminium, plastic coated, similar to RAL 9006 silver, structural matt
- Aluminium, plastic coated, similar to RAL 9005 black, matt structure

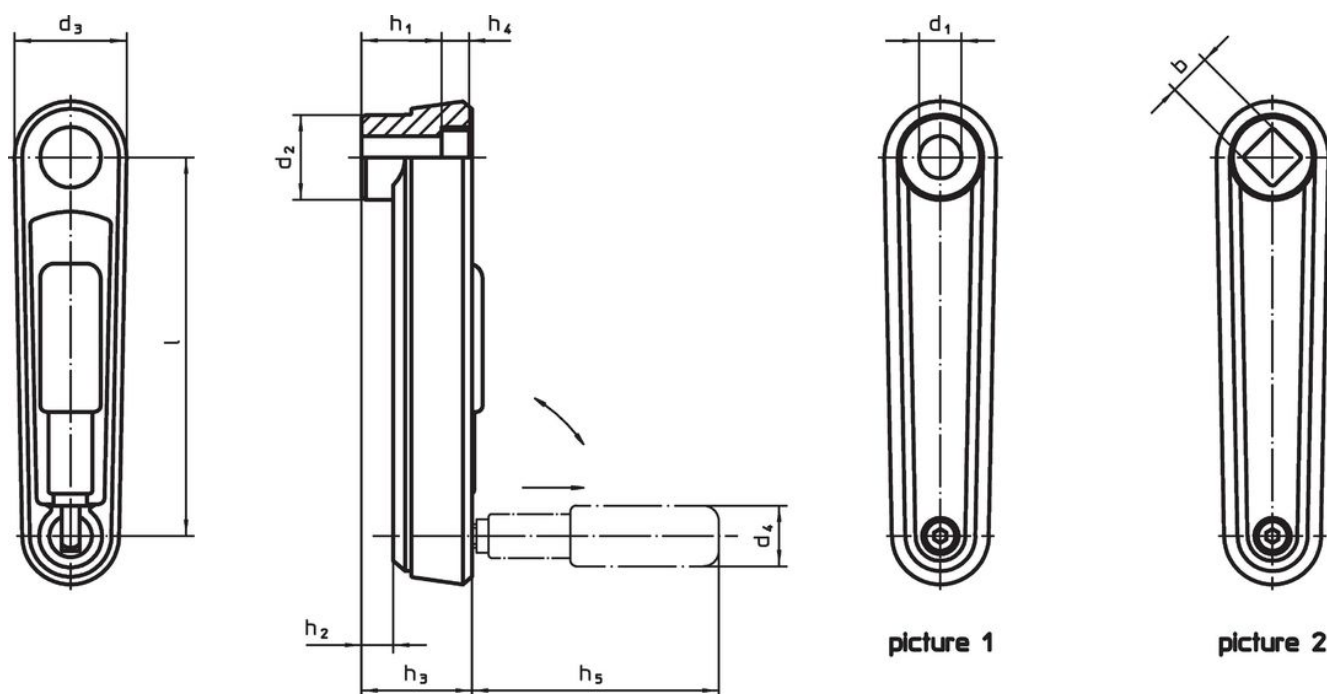
Covering

- Plastic, light grey

Operation


In the operating position the handle is locked. To move the handle to the rest position, it must be pulled out axially and flipped round.

Drawing



Order information

l	d ₁ H7	b H11	d ₂	d ₃	h ₁	Dimensions					d ₄ Cylindrical handle Ø	[g]	Art. No.
						h ₂ ~ [mm]	h ₃	h ₄	h ₅				
with smooth bore – picture 1, silver													
80	10	–	23.0	30	19.5	4.0	25.5	4.3	43.0	16	119	24331.0405	
100	12	–	26.7	35	23.5	5.5	29.5	4.2	57.5	18	174	24331.0410	
125	14	–	28.0	37	30.5	10.5	36.5	4.2	76.5	24	246	24331.0415	
with smooth bore – picture 1, black													
80	10	–	23.0	30	19.5	4.0	25.5	4.3	43.0	16	119	24331.0505	
100	12	–	26.7	35	23.5	5.5	29.5	4.2	57.5	18	174	24331.0510	
125	14	–	28.0	37	30.5	10.5	36.5	4.2	76.5	24	246	24331.0515	
with square shaft – picture 2, silver													
80	–	10	23.0	30	19.5	4.0	25.5	4.3	43.0	16	117	24331.0605	
100	–	12	26.7	35	23.5	5.5	29.5	4.2	57.5	18	171	24331.0610	
125	–	14	28.0	37	30.5	10.5	36.5	4.2	76.5	24	240	24331.0615	

l	d ₁	b	d ₂	d ₃	h ₁	Dimensions					d ₄ Cylindrical handle Ø	 [g]	Art. No.
	H7	H11				h ₂	h ₃	h ₄	h ₅	~ [mm]			
with square shaft – picture 2, black													
80	–	10	23.0	30	19.5	4.0	25.5	4.3	43.0	16	117	24331.0705	
100	–	12	26.7	35	23.5	5.5	29.5	4.2	57.5	18	171	24331.0710	
125	–	14	28.0	37	30.5	10.5	36.5	4.2	76.5	24	240	24331.0715	

Compliance

RoHS compliant

Contains lead - compliant according to exceptions 6a / 6b / 6c.

Contains SVHC substances >0,1% w/w

Contains lead - SVHC list [REACH] as of 27.06.2024.

Contains Proposition 65 substances



Lead can cause cancer and reproductive harm from exposure
<https://www.P65Warnings.ca.gov/>

Free from Conflict Minerals

This product does not contain any substances designated as "conflict minerals" such as tantalum, tin, gold or tungsten from the Democratic Republic of Congo or adjacent countries.