

## Adjustable Flat Tension Levers · with screw, stainless steel

EH 24441.



### Product Description

Adjustable flat tension levers are used when the swivel range is limited or a specific lever position is required.

Adjustable flat tension levers are characterised by their low construction height and are particularly suitable for use in restricted spaces or when the lever should not overhang..

### Material

#### Lever

- Zinc die-cast, plastic coated, black, similar to RAL 9005, matt structure
- Zinc die-cast, plastic coated, silver, similar to RAL 9006, matt structure

#### Inner parts

- Stainless steel 1.4305

#### Screw

- Stainless steel 1.4305

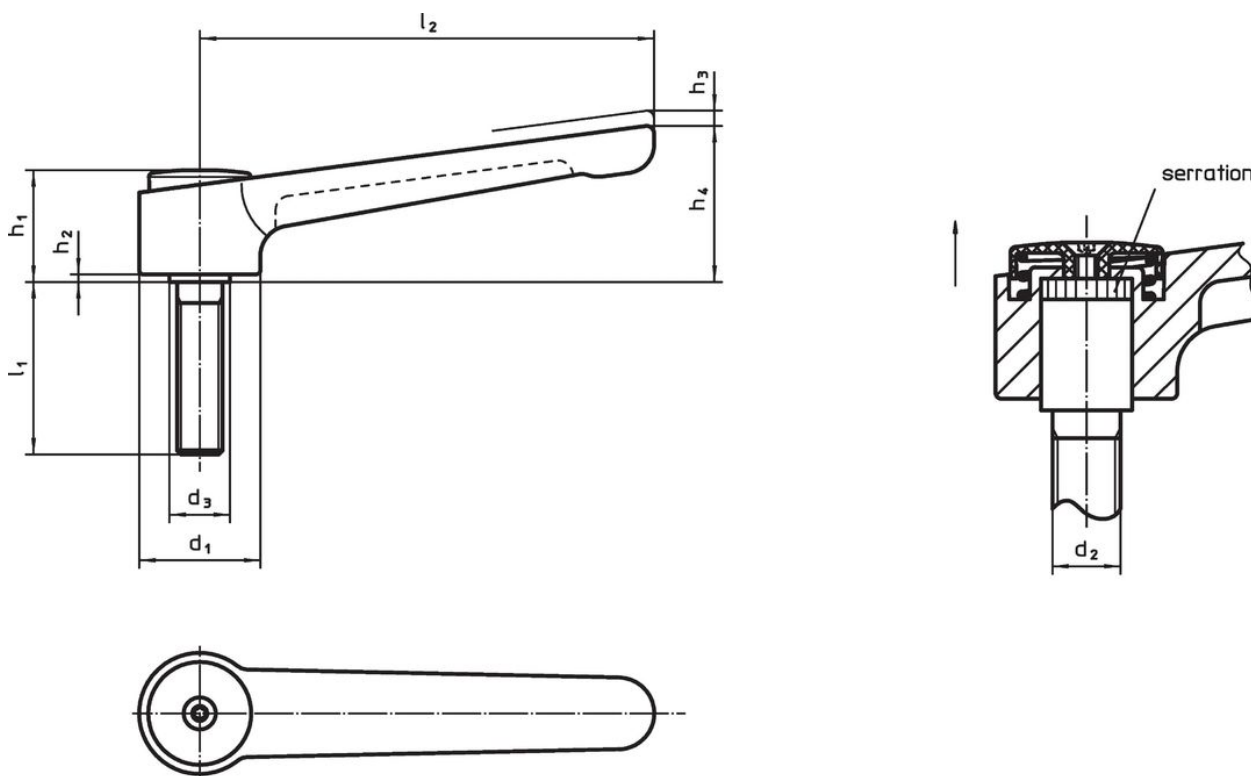
#### Covering

- Plastic, black
- Plastic, light grey

### Operation



**By lifting the lever** the serrations are disengaged. The lever can be positioned by the serrations. On releasing the lever, the serrations are automatically re-engaged.

### Drawing



### Order information

Dimensions													Art. No.
d <sub>1</sub>	d <sub>2</sub>	l <sub>1</sub>	d <sub>3</sub>	h <sub>1</sub>	h <sub>2</sub>	h <sub>3</sub>	h <sub>4</sub>	l <sub>2</sub>	min.	max.	[g]		
[mm]									[°C]				
<b>black</b>													
32	M10	20	16	29.5	2	2.5	41.5	120	-30	80	205	24441.0650	
32	M10	25	16	29.5	2	2.5	41.5	120	-30	80	206	24441.0655	
32	M10	32	16	29.5	2	2.5	41.5	120	-30	80	209	24441.0660	
32	M10	40	16	29.5	2	2.5	41.5	120	-30	80	211	24441.0665	
32	M10	50	16	29.5	2	2.5	41.5	120	-30	80	217	24441.0670	

Dimensions									 min.   max. [°C]		 [g]	Art. No.
d <sub>1</sub>	d <sub>2</sub>	l <sub>1</sub>	d <sub>3</sub>	h <sub>1</sub> [mm]	h <sub>2</sub>	h <sub>3</sub>	h <sub>4</sub>	l <sub>2</sub>				
32	M10	63	16	29.5	2	2.5	41.5	120	-30	80	223	24441.0675
32	M10	80	16	29.5	2	2.5	41.5	120	-30	80	232	24441.0680
32	M12	20	16	29.5	2	2.5	41.5	120	-30	80	207	24441.0685
32	M12	25	16	29.5	2	2.5	41.5	120	-30	80	214	24441.0690
32	M12	32	16	29.5	2	2.5	41.5	120	-30	80	218	24441.0695
32	M12	40	16	29.5	2	2.5	41.5	120	-30	80	223	24441.0700
32	M12	50	16	29.5	2	2.5	41.5	120	-30	80	230	24441.0705
32	M12	63	16	29.5	2	2.5	41.5	120	-30	80	237	24441.0710
32	M12	80	16	29.5	2	2.5	41.5	120	-30	80	250	24441.0715
40	M12	32	23	42.0	4	4.0	56.0	145	-30	80	442	24441.0725
40	M12	40	23	42.0	4	4.0	56.0	145	-30	80	453	24441.0730
40	M12	50	23	42.0	4	4.0	56.0	145	-30	80	456	24441.0735
40	M12	63	23	42.0	4	4.0	56.0	145	-30	80	463	24441.0740
40	M12	80	23	42.0	4	4.0	56.0	145	-30	80	460	24441.0745
40	M16	32	23	42.0	4	4.0	56.0	145	-30	80	460	24441.0750
40	M16	40	23	42.0	4	4.0	56.0	145	-30	80	472	24441.0755
40	M16	50	23	42.0	4	4.0	56.0	145	-30	80	482	24441.0760
40	M16	63	23	42.0	4	4.0	56.0	145	-30	80	499	24441.0765
40	M16	80	23	42.0	4	4.0	56.0	145	-30	80	522	24441.0770
silver												
32	M10	20	16	29.5	2	2.5	41.5	120	-30	80	205	24441.1650
32	M10	25	16	29.5	2	2.5	41.5	120	-30	80	206	24441.1655
32	M10	32	16	29.5	2	2.5	41.5	120	-30	80	209	24441.1660
32	M10	40	16	29.5	2	2.5	41.5	120	-30	80	211	24441.1665
32	M10	50	16	29.5	2	2.5	41.5	120	-30	80	217	24441.1670
32	M10	63	16	29.5	2	2.5	41.5	120	-30	80	223	24441.1675
32	M10	80	16	29.5	2	2.5	41.5	120	-30	80	232	24441.1680
32	M12	20	16	29.5	2	2.5	41.5	120	-30	80	207	24441.1685
32	M12	25	16	29.5	2	2.5	41.5	120	-30	80	214	24441.1690
32	M12	32	16	29.5	2	2.5	41.5	120	-30	80	218	24441.1695
32	M12	40	16	29.5	2	2.5	41.5	120	-30	80	223	24441.1700
32	M12	50	16	29.5	2	2.5	41.5	120	-30	80	230	24441.1705
32	M12	63	16	29.5	2	2.5	41.5	120	-30	80	237	24441.1710
32	M12	80	16	29.5	2	2.5	41.5	120	-30	80	250	24441.1715
40	M12	32	23	42.0	4	4.0	56.0	145	-30	80	442	24441.1725
40	M12	40	23	42.0	4	4.0	56.0	145	-30	80	453	24441.1730
40	M12	50	23	42.0	4	4.0	56.0	145	-30	80	456	24441.1735
40	M12	63	23	42.0	4	4.0	56.0	145	-30	80	463	24441.1740
40	M12	80	23	42.0	4	4.0	56.0	145	-30	80	460	24441.1745
40	M16	32	23	42.0	4	4.0	56.0	145	-30	80	460	24441.1750
40	M16	40	23	42.0	4	4.0	56.0	145	-30	80	472	24441.1755
40	M16	50	23	42.0	4	4.0	56.0	145	-30	80	482	24441.1760
40	M16	63	23	42.0	4	4.0	56.0	145	-30	80	499	24441.1765
40	M16	80	23	42.0	4	4.0	56.0	145	-30	80	522	24441.1770

### Compliance

#### RoHS compliant

Compliant according to Directive 2011/65/EU and Directive 2015/863.

#### Does not contain SVHC substances

No SVHC substances with more than 0.1% w/w contained - SVHC list [REACH] as of 27.06.2024.

#### Does not contain Proposition 65 substances

No Proposition 65 substances included.

<https://www.P65Warnings.ca.gov/>

#### Free from Conflict Minerals

This product does not contain any substances designated as "conflict minerals" such as tantalum, tin, gold or tungsten from the Democratic Republic of Congo or adjacent countries.