

## Knurled Nuts • DIN 6303

EH 24480.



### Product Description

#### Material

- Free cutting steel, blackened
- Stainless steel 1.4305

#### Assembly

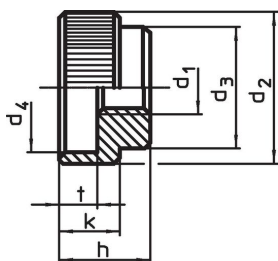
Form B: after being bored through the pin hole is to be situated within the tolerance field H7.

#### More information

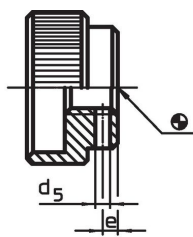
#### Notes

Knurling pitch and knurling depth may differ from DIN.

### Drawing




picture 1

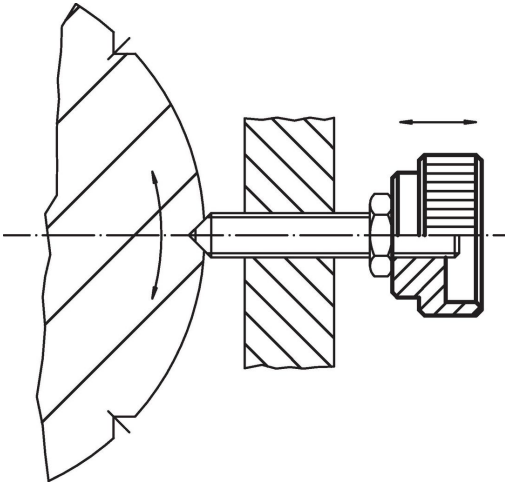


picture 2

### Order information

d <sub>1</sub>	d <sub>2</sub>	d <sub>3</sub>	d <sub>4</sub>	Dimensions d <sub>5</sub> Predrilled [mm]	e	h	k	t	Suitable straight pin DIN 7	 [g]	Art. No.
<b>without pin hole, form A – picture 1, Free cutting steel</b>											
M 5	20	14	15	–	–	12	8	5	–	16	<a href="#">24480.0005</a>
M 6	24	16	18	–	–	14	10	6	–	27	<a href="#">24480.0006</a>
M 8	30	20	24	–	–	17	12	7	–	46	<a href="#">24480.0008</a>
M10	36	28	30	–	–	20	14	8	–	83	<a href="#">24480.0010</a>
M12	40	32	34	–	–	24	16	10	–	123	<a href="#">24480.0012</a>
<b>with pin hole, form B – picture 2, Free cutting steel</b>											
M 5	20	14	15	1.4	2.5	12	8	5	1,5 m6 x 14	15	<a href="#">24480.0105</a>
M 6	24	16	18	1.4	2.5	14	10	6	1,5 m6 x 16	25	<a href="#">24480.0106</a>
M 8	30	20	24	1.9	3.0	17	12	7	2,0 m6 x 20	45	<a href="#">24480.0108</a>
M10	36	28	30	2.9	4.0	20	14	8	3,0 m6 x 28	86	<a href="#">24480.0110</a>
M12	40	32	34	3.9	4.0	24	16	10	4,0 m6 x 32	121	<a href="#">24480.0112</a>
<b>without pin hole, form A – picture 1, Stainless steel</b>											
M 5	20	14	15	–	–	12	8	5	–	16	<a href="#">24480.0205</a>
M 6	24	16	18	–	–	14	10	6	–	27	<a href="#">24480.0206</a>
M 8	30	20	24	–	–	17	12	7	–	46	<a href="#">24480.0208</a>
M10	36	28	30	–	–	20	14	8	–	83	<a href="#">24480.0210</a>
M12	40	32	34	–	–	24	16	10	–	123	<a href="#">24480.0212</a>
<b>with pin hole, form B – picture 2, Stainless steel</b>											
M 5	20	14	15	1.4	2.5	12	8	5	1,5 m6 x 14	15	<a href="#">24480.0305</a>
M 6	24	16	18	1.4	2.5	14	10	6	1,5 m6 x 16	25	<a href="#">24480.0306</a>
M 8	30	20	24	1.9	3.0	17	12	7	2,0 m6 x 20	45	<a href="#">24480.0308</a>
M10	36	28	30	2.9	4.0	20	14	8	3,0 m6 x 28	86	<a href="#">24480.0310</a>
M12	40	32	34	3.9	4.0	24	16	10	4,0 m6 x 32	121	<a href="#">24480.0312</a>

Application example



Compliance

For detailed compliance information please select the desired article number.