

Palm Grip Screws · similar to DIN 6335, stainless steel
EH 24731.



Product Description

These grub screws with palm grip are manufactured according to DIN 6335, but it is a version without dirty edges. This makes these grub screws with palm grip suitable for all areas of application with high hygienic requirements.

Material

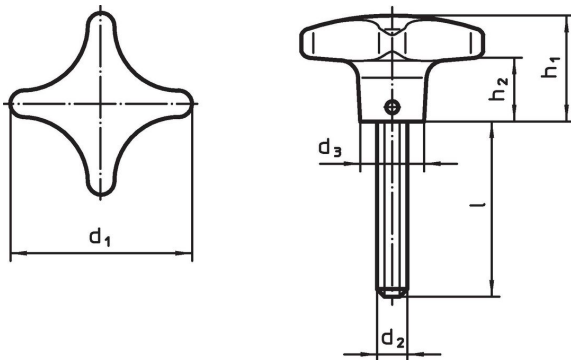
Handle

- stainless steel, dull blasted

Screw

- Stainless steel 1.4305

Drawing



Order information

d ₁	d ₂	Dimensions				[g]	Art. No.
		l ~ [mm]	d ₃	h ₁	h ₂		
40	M 8	20	14	25	13	76	24731.0005
40	M 8	25	14	25	13	70	24731.0010
40	M 8	30	14	25	13	70	24731.0015
40	M 8	40	14	25	13	82	24731.0020
50	M10	20	18	32	18	135	24731.0025
50	M10	25	18	32	18	138	24731.0030
50	M10	30	18	32	18	138	24731.0035
50	M10	45	18	32	18	160	24731.0040
50	M10	55	18	32	18	149	24731.0045
63	M12	30	20	40	23	249	24731.0050
63	M12	40	20	40	23	240	24731.0055
63	M12	50	20	40	23	250	24731.0060

Compliance

RoHS compliant

Compliant according to Directive 2011/65/EU and Directive 2015/863.

Does not contain SVHC substances

No SVHC substances with more than 0.1% w/w contained - SVHC list [REACH] as of 27.06.2024.

Does not contain Proposition 65 substances

No Proposition 65 substances included.

<https://www.P65Warnings.ca.gov/>

Free from Conflict Minerals

This product does not contain any substances designated as "conflict minerals" such as tantalum, tin, gold or tungsten from the Democratic Republic of Congo or adjacent countries.