

Star Grips • plastic  
EH 24750.



Product Description

Material

Cap

- Thermoplastic PA, black similar to RAL 9005
- Thermoplastic PA, white similar to RAL 9019
- Thermoplastic PA, orange similar to RAL 2004
- Thermoplastic PA, yellow similar to RAL 1016
- Thermoplastic PA, blue similar to RAL 5015

Handle

- Thermoplastic PA 6, black similar to RAL 9005

Threaded bushing

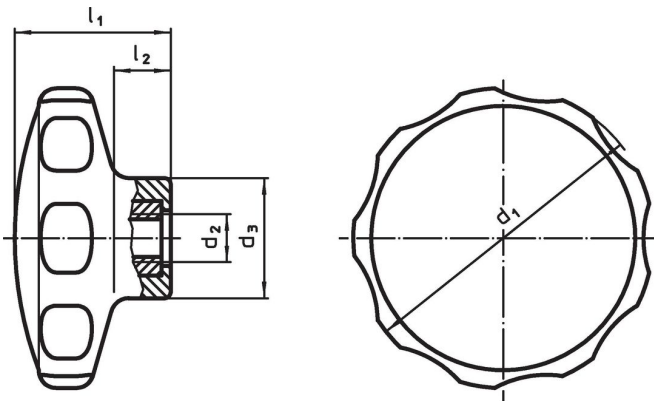
- Stainless steel

More information

Notes

Customized designs, e.g. differing threads, on request.

Drawing



Order information

Dimensions					Temperature		Weight	Art. No.
d <sub>1</sub>	d <sub>2</sub>	d <sub>3</sub> [mm]	l <sub>1</sub>	l <sub>2</sub>	min.	max.	[g]	
					[°C]			
<b>black</b>								
30	M 4	14.0	19	7	-30	80	5.5	<a href="#">24750.0030</a>
30	M 5	14.0	19	7	-30	80	5.7	<a href="#">24750.0035</a>
40	M 5	16.5	22	9	-30	80	8.2	<a href="#">24750.0040</a>
40	M 6	16.5	22	9	-30	80	9.5	<a href="#">24750.0045</a>
50	M 6	22.0	26	10	-30	80	16.0	<a href="#">24750.0050</a>
50	M 8	22.0	26	10	-30	80	19.0	<a href="#">24750.0055</a>
62	M 8	22.0	35	13	-30	80	30.0	<a href="#">24750.0060</a>
62	M10	22.0	35	13	-30	80	39.0	<a href="#">24750.0065</a>
<b>white</b>								
30	M 4	14.0	19	7	-30	80	5.5	<a href="#">24750.0031</a>
30	M 5	14.0	19	7	-30	80	5.7	<a href="#">24750.0036</a>
40	M 5	16.5	22	9	-30	80	8.2	<a href="#">24750.0041</a>
40	M 6	16.5	22	9	-30	80	9.5	<a href="#">24750.0046</a>
50	M 6	22.0	26	10	-30	80	16.0	<a href="#">24750.0051</a>
50	M 8	22.0	26	10	-30	80	19.0	<a href="#">24750.0056</a>
62	M 8	22.0	35	13	-30	80	30.0	<a href="#">24750.0061</a>
62	M10	22.0	35	13	-30	80	39.0	<a href="#">24750.0066</a>

d <sub>1</sub>	d <sub>2</sub>	Dimensions			min.	max.	[g]	Art. No.
		d <sub>3</sub> [mm]	l <sub>1</sub>	l <sub>2</sub>				
<b>orange</b>								
30	M 4	14.0	19	7	-30	80	5.5	<a href="#">24750.0032</a>
30	M 5	14.0	19	7	-30	80	5.7	<a href="#">24750.0037</a>
40	M 5	16.5	22	9	-30	80	8.2	<a href="#">24750.0042</a>
40	M 6	16.5	22	9	-30	80	9.5	<a href="#">24750.0047</a>
50	M 6	22.0	26	10	-30	80	16.0	<a href="#">24750.0052</a>
50	M 8	22.0	26	10	-30	80	19.0	<a href="#">24750.0057</a>
62	M 8	22.0	35	13	-30	80	30.0	<a href="#">24750.0062</a>
62	M10	22.0	35	13	-30	80	39.0	<a href="#">24750.0067</a>
<b>yellow</b>								
30	M 4	14.0	19	7	-30	80	5.5	<a href="#">24750.0033</a>
30	M 5	14.0	19	7	-30	80	5.7	<a href="#">24750.0038</a>
40	M 5	16.5	22	9	-30	80	8.2	<a href="#">24750.0043</a>
40	M 6	16.5	22	9	-30	80	9.5	<a href="#">24750.0048</a>
50	M 6	22.0	26	10	-30	80	16.0	<a href="#">24750.0053</a>
50	M 8	22.0	26	10	-30	80	19.0	<a href="#">24750.0058</a>
62	M 8	22.0	35	13	-30	80	30.0	<a href="#">24750.0063</a>
62	M10	22.0	35	13	-30	80	39.0	<a href="#">24750.0068</a>
<b>blue</b>								
30	M 4	14.0	19	7	-30	80	5.5	<a href="#">24750.0034</a>
30	M 5	14.0	19	7	-30	80	5.7	<a href="#">24750.0039</a>
40	M 5	16.5	22	9	-30	80	8.2	<a href="#">24750.0044</a>
40	M 6	16.5	22	9	-30	80	9.5	<a href="#">24750.0049</a>
50	M 6	22.0	26	10	-30	80	16.0	<a href="#">24750.0054</a>
50	M 8	22.0	26	10	-30	80	19.0	<a href="#">24750.0059</a>
62	M 8	22.0	35	13	-30	80	30.0	<a href="#">24750.0064</a>
62	M10	22.0	35	13	-30	80	39.0	<a href="#">24750.0069</a>

## Compliance

### RoHS compliant

Compliant according to Directive 2011/65/EU and Directive 2015/863.

### Does not contain SVHC substances

No SVHC substances with more than 0.1% w/w contained - SVHC list [REACH] as of 27.06.2024.

### Does not contain Proposition 65 substances

No Proposition 65 substances included.

<https://www.P65Warnings.ca.gov/>

### Free from Conflict Minerals

This product does not contain any substances designated as "conflict minerals" such as tantalum, tin, gold or tungsten from the Democratic Republic of Congo or adjacent countries.