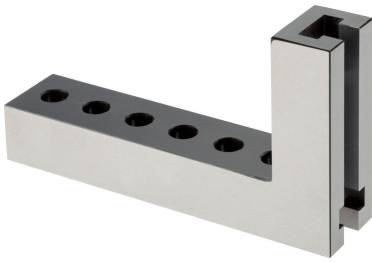


Slotted Clamping Angles

1112.200

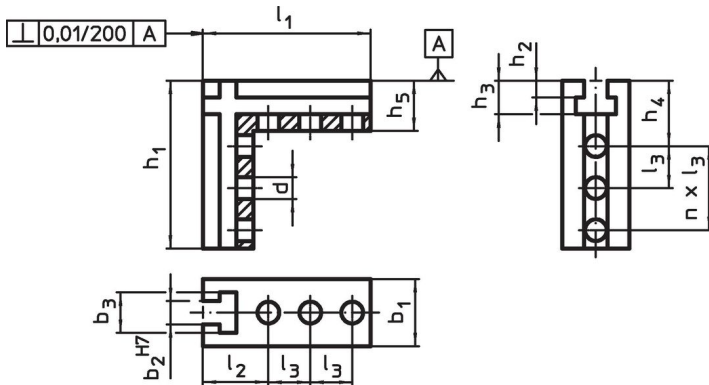


Product Description


Material

- Steel, case-hardened, ground

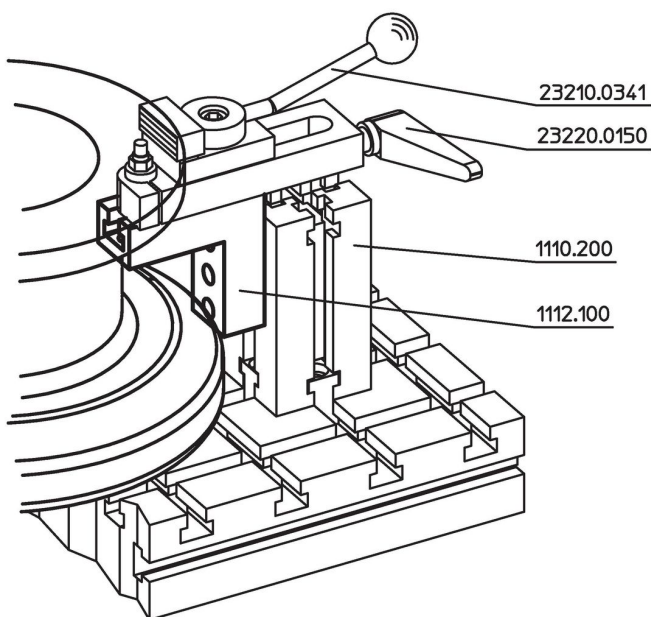
Drawing



Order information

System	Dimensions												Amount n	 [g]	Art. No.
	b ₁	h ₁	l ₁	l ₂	l ₃	b ₂	b ₃	h ₂	h ₃	h ₄	h ₅	d			
V70	40	180	100	39	25	14	24	10	20	39	30	13	5	1468	1112.200

Application example



Compliance

RoHS compliant

Compliant according to Directive 2011/65/EU and Directive 2015/863.

Does not contain SVHC substances

No SVHC substances with more than 0.1% w/w contained - SVHC list [REACH] as of 23.01.2024.

Does not contain Proposition 65 substances

No Proposition 65 substances included.

<https://www.P65Warnings.ca.gov/>

Free from Conflict Minerals

This product does not contain any substances designated as "conflict minerals" such as tantalum, tin, gold or tungsten from the Democratic Republic of Congo or adjacent countries.