

Clamping Bars

1113.800

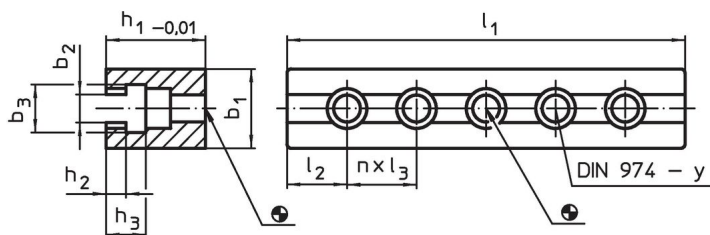


Product Description


Material

- Steel, case-hardened, ground

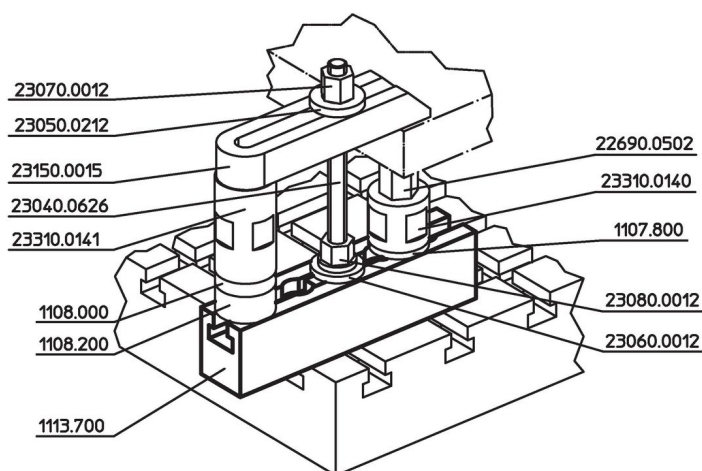
Drawing



Order information

System	Dimensions									Amount n	For screws [mm]	y [mm]	 [g]	Art. No.
	l ₁	b ₁	b ₂	b ₃	h ₁	h ₂	h ₃	l ₂	l ₃					
V70	300	40	14.3	24	50	10	20	27.5	35	7	M12	12	3320	1113.800

Application example



Compliance

RoHS compliant

Compliant according to Directive 2011/65/EU and Directive 2015/863.

Does not contain SVHC substances

No SVHC substances with more than 0.1% w/w contained - SVHC list [REACH] as of 27.06.2024.

Does not contain Proposition 65 substances

No Proposition 65 substances included.

<https://www.P65Warnings.ca.gov/>

Free from Conflict Minerals

This product does not contain any substances designated as "conflict minerals" such as tantalum, tin, gold or tungsten from the Democratic Republic of Congo or adjacent countries.