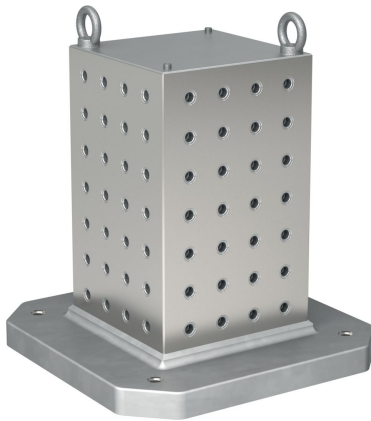


## Clamping Cubes

1508.600



### Product Description

#### Material

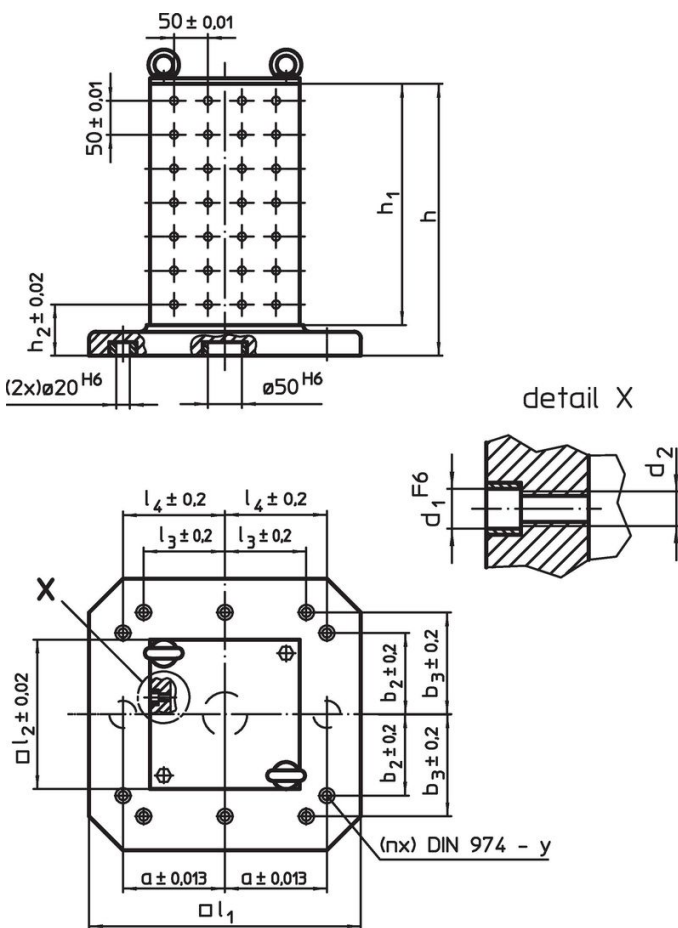
- Grey cast iron GG

#### More information


#### Notes

Customized design on request.

### Drawing



### Order information

System	Dimensions												y	For screws	Number of fastening holes n	Number of hole rows		Art. No.
	l <sub>1</sub>	l <sub>2</sub>	h <sub>1</sub>	h	h <sub>2</sub>	d <sub>1</sub>	d <sub>2</sub>	a	b <sub>2</sub>	b <sub>3</sub>	l <sub>3</sub>	l <sub>4</sub>						
L12	630	450	640	700	100	12	M12	200	200	300	200	300	16	M16	8	8 x 12	426	1508.600

## Compliance

### RoHS compliant

Contains lead - compliant according to exceptions 6a / 6b / 6c.

### Contains SVHC substances >0,1% w/w

Contains lead - SVHC list [REACH] as of 27.06.2024.

### Contains Proposition 65 substances



Lead can cause cancer and reproductive harm from exposure  
<https://www.P65Warnings.ca.gov/>

### Free from Conflict Minerals

This product does not contain any substances designated as "conflict minerals" such as tantalum, tin, gold or tungsten from the Democratic Republic of Congo or adjacent countries.