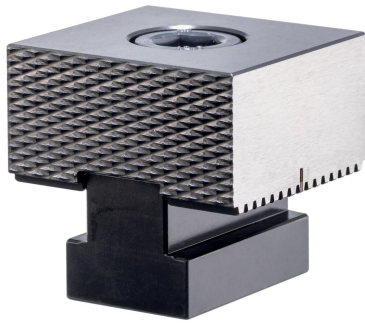


Stops • ribbed

1586.062

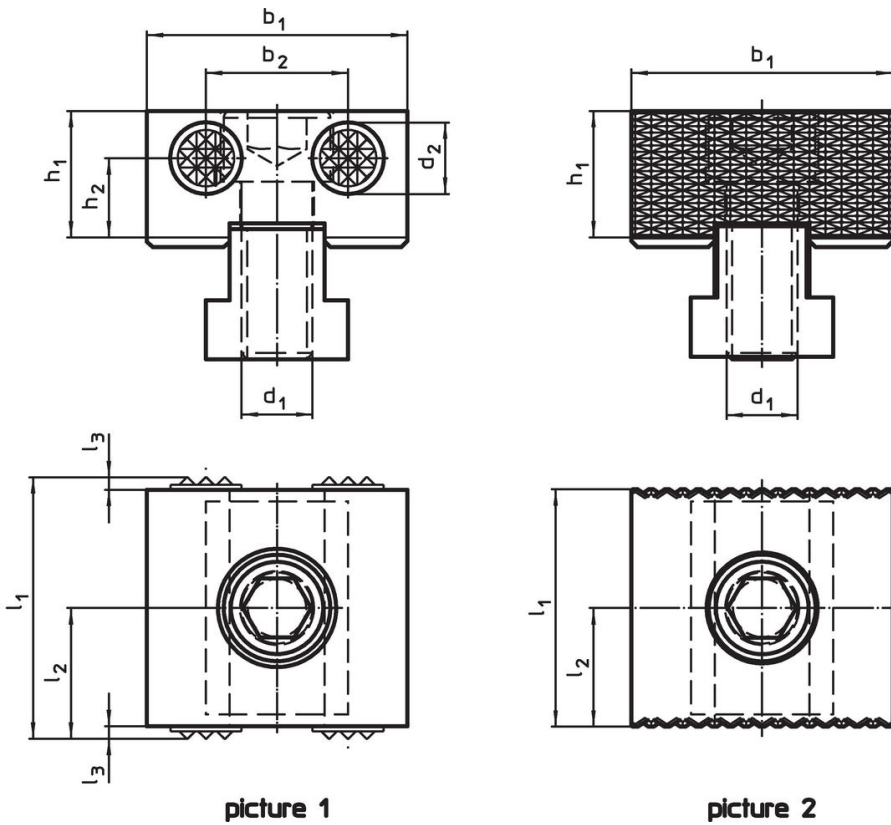


Product Description

Material

- Body
- Tool steel, hardened

Drawing



Order information

d ₁	l ₁	Dimensions			h ₁	[g]	Art. No.
		l ₂	b ₁				
M12	40	20	44	-0.05	21.4	395	1586.062

ribbed over the entire surface, on both sides – picture 2

Compliance

RoHS compliant

Compliant according to Directive 2011/65/EU and Directive 2015/863.

Does not contain SVHC substances

No SVHC substances with more than 0.1% w/w contained - SVHC list [REACH] as of 27.06.2024.

Does not contain Proposition 65 substances

No Proposition 65 substances included.

<https://www.P65Warnings.ca.gov/>

Free from Conflict Minerals

This product does not contain any substances designated as "conflict minerals" such as tantalum, tin, gold or tungsten from the Democratic Republic of Congo or adjacent countries.