

## Spring Plungers · with moveable ball and slot

### 22051.0605



#### Product Description

Spring plungers can be used for locating or for applying pressure, as a detent or for ejection. The running of the ball minimises wear on the counterpart, this also results in a positive locking behaviour depending on the counterpart. Another advantage of the plastic ball is the electric insulation.

#### Material

##### Body

- Stainless steel 1.4305

##### Bearing

- plastic

##### Ball

- Stainless steel, hardened

##### Spring

- Stainless steel

#### Characteristic

Heavy spring load: marked with two lines



Standard spring load



Heavy spring load

#### More information

#### Notes

Special types on request.  
Spring plungers are specially tested for spring range and forces.

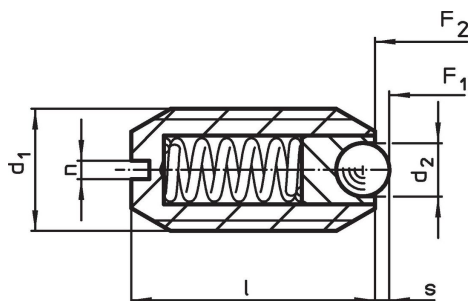
#### References

Thread lock on request, please refer to appendix - Technical Data -  
Calculation of indexing resistance, please refer to appendix - Technical Data -

#### Further products

- Locators, with bore hole, for spring plungers
- Locators, smooth, for spring plungers
- Holders, for spring plungers

#### Drawing



#### Order information

Dimensions				Stroke $s$ [mm]	Spring load <sup>1)</sup>		Temperature		Weight [g]	Art. No.
$d_1$	$d_2$	$l$	$n$		$F_1$ ~	$F_2$ ~	min.	max.		
[mm]					[N]		[°C]			
stainless steel, heavy spring load										
M5	2	12	0.8	0.5	10	14	-30	90	0.9	22051.0605

<sup>1)</sup> statistical average value

## Application example



## Compliance

### RoHS compliant

Compliant according to Directive 2011/65/EU and Directive 2015/863.

### Does not contain SVHC substances

No SVHC substances with more than 0.1% w/w contained - SVHC list [REACH] as of 27.06.2024.

### Does not contain Proposition 65 substances

No Proposition 65 substances included.

<https://www.P65Warnings.ca.gov/>

### Free from Conflict Minerals

This product does not contain any substances designated as "conflict minerals" such as tantalum, tin, gold or tungsten from the Democratic Republic of Congo or adjacent countries.