

## Spring Plungers · with internal hexagon

22060.0204



### Product Description

Spring plungers can be used for locating or for applying pressure, as a detent or for ejection.

#### Material

##### Pin

- Thermoplastic POM, white

##### Body

- Free cutting steel, blackened

##### Spring

- Stainless steel

#### Assembly

Spring plungers can be mounted and removed by means of the slot or internal hexagon. Please use a special assembly tool for mounting with a slot (pin side).

#### Characteristic

Standard spring load: no marking



Standard spring load



Heavy spring load

#### More information

#### Notes

Special types on request.  
Spring plungers are specially tested for spring range and forces.

#### References

Thread lock on request, please refer to appendix - Technical Data -

#### Further products

- Spring Plungers, with internal hexagon and seal
- Holders, for spring plungers

### Drawing

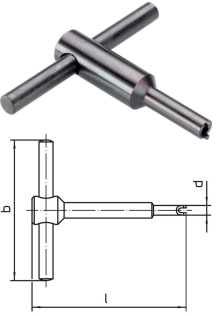


### Order information

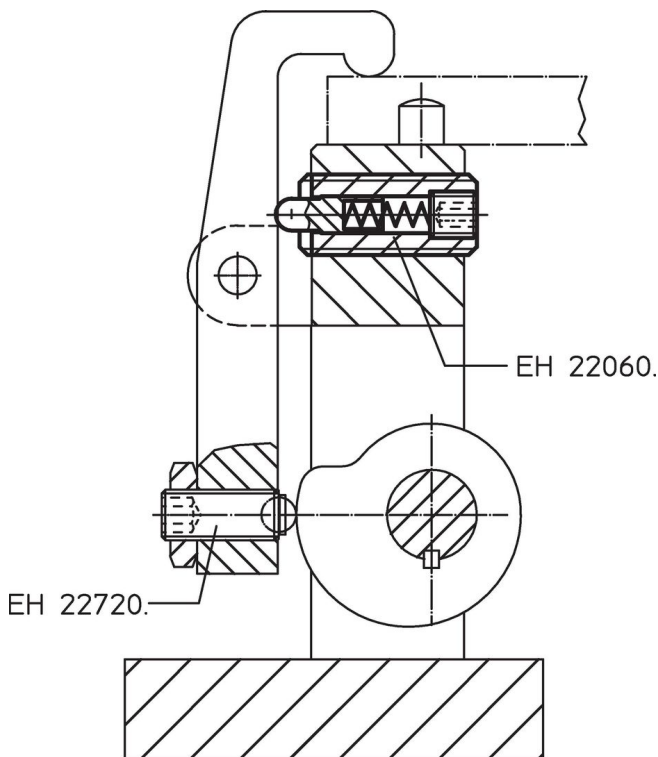
| Dimensions     |                |    |     |     | WS<br>[mm] | Stroke<br>s<br>[mm] | Spring load <sup>1)</sup> |                     | min.   max.<br>[°C] | [g] | Art. No.   |
|----------------|----------------|----|-----|-----|------------|---------------------|---------------------------|---------------------|---------------------|-----|------------|
| d <sub>1</sub> | d <sub>2</sub> | l  | n   | t   |            |                     | F <sub>1</sub><br>~       | F <sub>2</sub><br>~ |                     |     |            |
| M4             | 1.5            | 15 | 0.6 | 0.6 | 1.3        | 1.5                 | 4                         | 16                  | -30   50            | 0.9 | 22060.0204 |

<sup>1)</sup> statistical average value

Accessories

|   | Dimensions     |    |      |    | [g] | Art. No.   |
|---|----------------|----|------|----|-----|------------|
|   | d <sub>1</sub> | b  | d    | l  |     |            |
| [mm]  |                |    |      |    |     |            |
| <b>Assembly Tool for mounting via slot (pin sided)</b>                            |                |    |      |    |     |            |
|  | M 4            | 50 | 3.00 | 55 | 18  | 22060.0904 |

Application example



Compliance

RoHS compliant

Contains lead - compliant according to exceptions 6a / 6b / 6c.

Contains SVHC substances >0,1% w/w

Contains lead - SVHC list [REACH] as of 27.06.2024.

Contains Proposition 65 substances



Lead can cause cancer and reproductive harm from exposure  
<https://www.P65Warnings.ca.gov/>

Free from Conflict Minerals

This product does not contain any substances designated as "conflict minerals" such as tantalum, tin, gold or tungsten from the Democratic Republic of Congo or adjacent countries.