

## Spring Plungers · with internal hexagon and seal

### 22060.0450



#### Product Description

Spring plungers can be used for locating or for applying pressure, as a detent or for ejection. By means of the seal, liquid cannot penetrate into the spring plunger.

#### Material

##### Pin

- Stainless steel 1.4305

##### Seal

- NBR

##### Body

- Stainless steel 1.4305

##### Spring

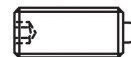
- Stainless steel

#### Assembly

Spring plungers can be mounted and removed by means of the slot or internal hexagon. Please use a special assembly tool for mounting with a slot (pin side).

#### Characteristic

Standard spring load: no marking



Standard spring load



Heavy spring load

#### More information

#### Notes

Special types on request.  
Spring plungers are specially tested for spring range and forces.

#### References

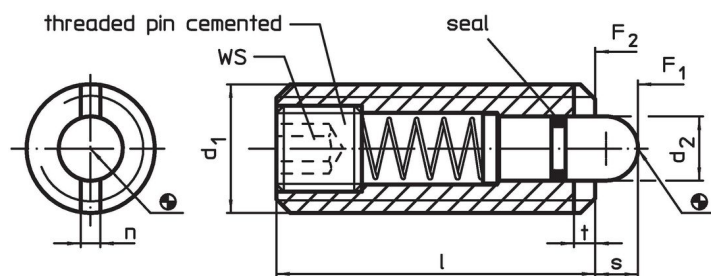
Compared to EH 22060., i.e. "no seal", there are deviations in dimension l, spring load and temperature range.

Thread lock on request, please refer to appendix - Technical Data -

#### Further products

- Spring Plungers, with internal hexagon
- Holders, for spring plungers

#### Drawing

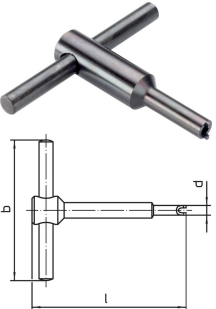


#### Order information

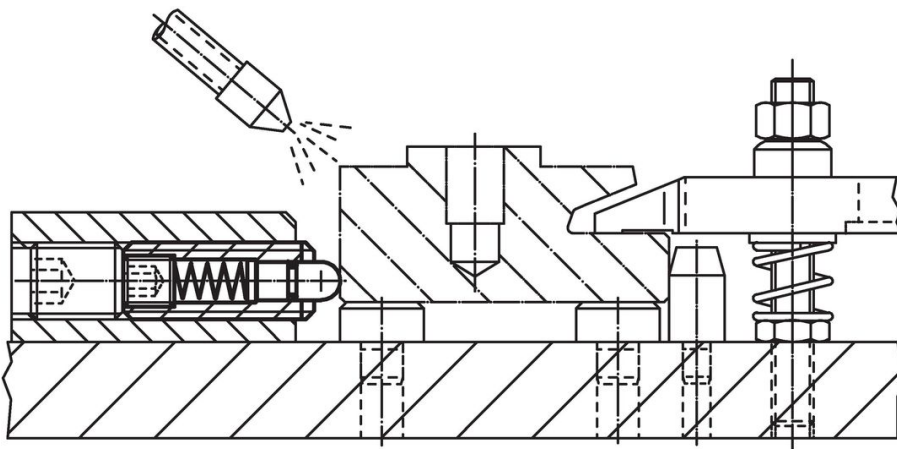
| Dimensions                            |                |    |     |     | WS   | Stroke<br>s | Spring load <sup>1)</sup> |                     | Temperature |      | Weight<br>[g] | Art. No.   |
|---------------------------------------|----------------|----|-----|-----|------|-------------|---------------------------|---------------------|-------------|------|---------------|------------|
| d <sub>1</sub>                        | d <sub>2</sub> | l  | n   | t   |      |             | F <sub>1</sub><br>~       | F <sub>2</sub><br>~ | min.        | max. |               |            |
| [mm]                                  |                |    |     |     | [mm] | [mm]        | [N]                       | [°C]                |             | [g]  |               |            |
| stainless steel, standard spring load |                |    |     |     |      |             |                           |                     |             |      |               |            |
| M10                                   | 4              | 28 | 1.5 | 1.4 | 3    | 3.5         | 15                        | 30                  | -30         | 80   | 12            | 22060.0450 |

<sup>1)</sup> statistical average value

Accessories

|   | Dimensions     |    |      |    | Art. No.   |
|---|----------------|----|------|----|------------|
|   | d <sub>1</sub> | b  | d    | l  |            |
| [mm]  |                |    |      |    |            |
| <b>Assembly Tool for mounting via slot (pin sided)</b>                            |                |    |      |    |            |
|  | M10            | 80 | 8.00 | 80 | 22060.0910 |
|   |                |    |      |    | 66         |

Application example



Compliance

**RoHS compliant**

Compliant according to Directive 2011/65/EU and Directive 2015/863.

**Does not contain SVHC substances**

No SVHC substances with more than 0.1% w/w contained - SVHC list [REACH] as of 27.06.2024.

**Does not contain Proposition 65 substances**

No Proposition 65 substances included.

<https://www.P65Warnings.ca.gov/>

**Free from Conflict Minerals**

This product does not contain any substances designated as "conflict minerals" such as tantalum, tin, gold or tungsten from the Democratic Republic of Congo or adjacent countries.