

## Mounting Blocks · for index bolts and index plungers, die-cast

22110.0508



### Product Description

Assembly support and extended application for index bolts and index plungers. Can also be used for locating the locating bushings and positioning bushings EH 22110..

### Material

#### Grub Screw

- Steel, blackened, with brass pad

#### Body

- Zinc die-cast, plastic coated, black

### Assembly

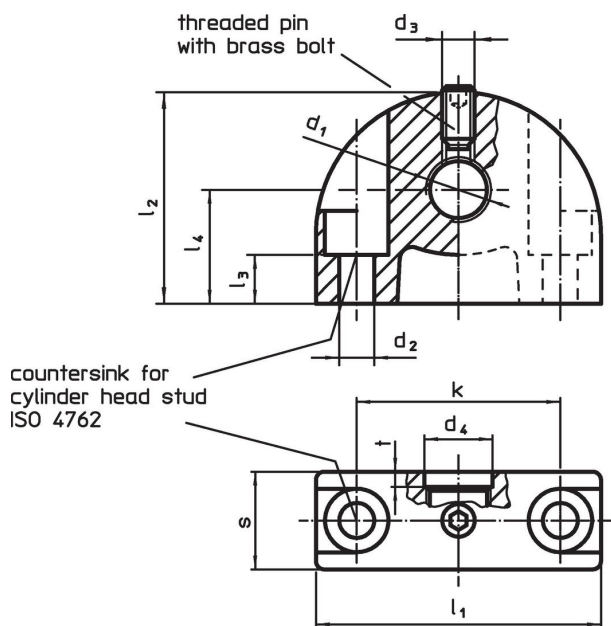
The countersink (t / d4) in the thread d<sub>1</sub> is one-sided.

### More information

### Further products

- Locating Bushings, for index bolts and index plungers
- Positioning Bushings, for index bolts and index plungers

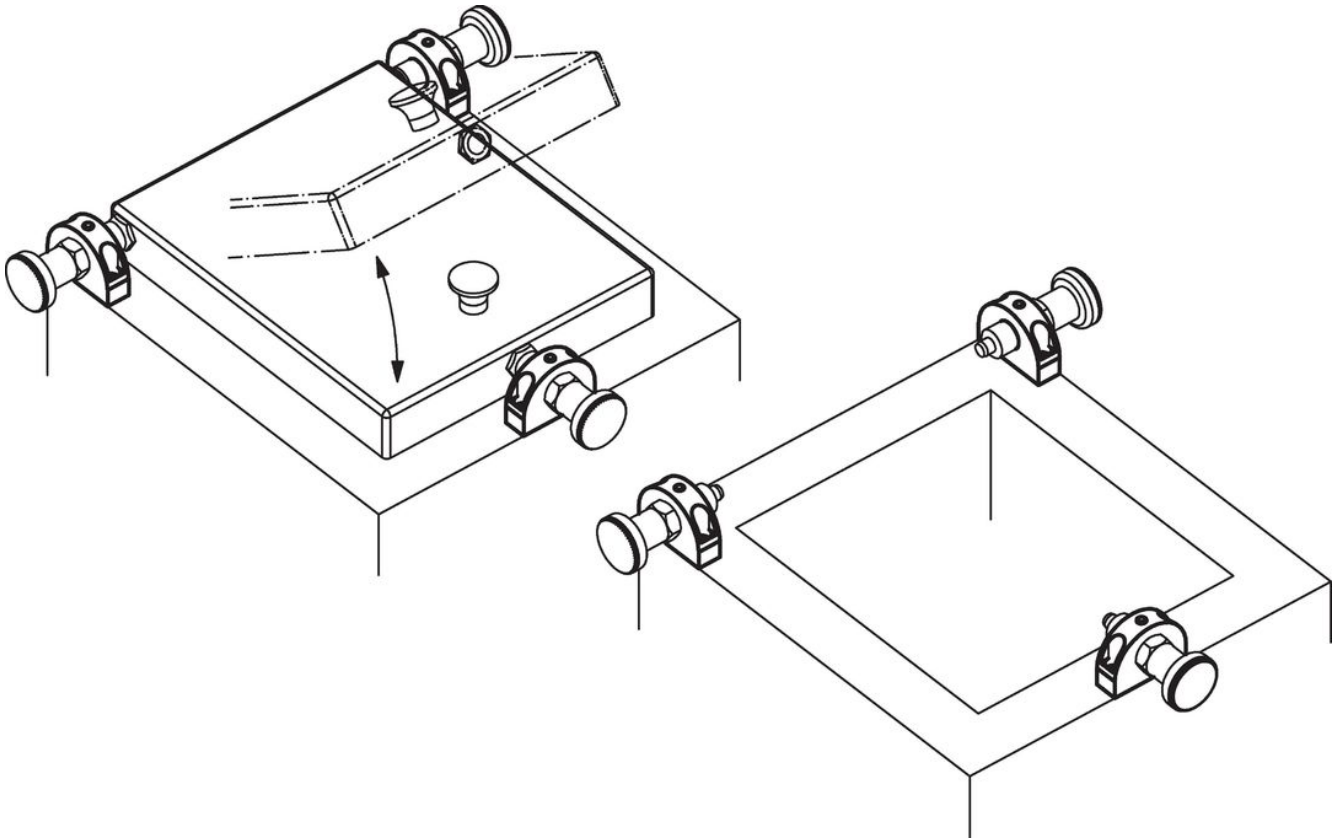
### Drawing



### Order information

Dimensions												max. [°C]	[g]	Art. No.	
d <sub>1</sub>	d <sub>2</sub>	d <sub>3</sub>	d <sub>4</sub>	k	l <sub>1</sub>	l <sub>2</sub>	l <sub>3</sub>	l <sub>4</sub>	s	t	[mm]				
mounting hole vertical to index bolt and index plunger															
M8	4.3	M4	8.2	25	35	26	6	14	12	2	100	40	22110.0508		

## Application example



## Compliance

### RoHS compliant

Contains lead - compliant according to exceptions 6a / 6b / 6c.

### Contains SVHC substances >0,1% w/w

Contains lead - SVHC list [REACH] as of 27.06.2024.

### Contains Proposition 65 substances



Lead can cause cancer and reproductive harm from exposure  
<https://www.P65Warnings.ca.gov/>

### Free from Conflict Minerals

This product does not contain any substances designated as "conflict minerals" such as tantalum, tin, gold or tungsten from the Democratic Republic of Congo or adjacent countries.