

Index Plungers · simple finish

22120.0786



**Product Description**

Application is limited to cases not requiring a precise positioning.  
Simple finish with very small dimensions.

**Material**

**Body**

- Stainless steel 1.4305

**Locking pin**

- Stainless steel 1.4305

**Knob**

- Thermoplastic PA 6, black, dull

**Operation**

When using locking index plungers, the knob is pulled-out, turned 90° and secured by a notched catch (when locking pin should not overhang).

**More information**

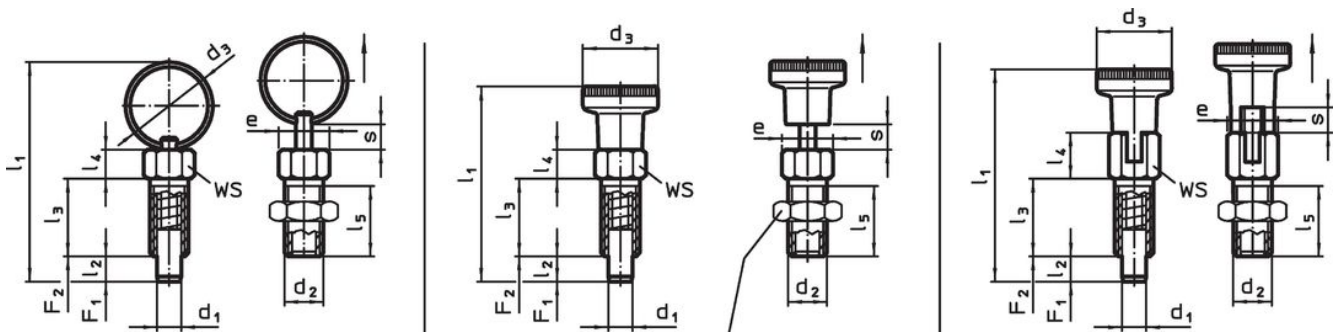
**Notes**

Lock nuts have to be purchased separately.  
Knob not removable.

**Further products**

- Locating Bushings, for index bolts and index plungers

**Drawing**



lock nut  
22120.0704 - .0708 (Steel)  
22120.0714 - .0718 (Stainless steel)

picture 1

picture 2


picture 3

Order information

Dimensions										WS	Tightening torque max.	Spring load <sup>1)</sup>		Temperature		Weight [g]	Art. No.
d <sub>1</sub>	d <sub>2</sub>	d <sub>3</sub>	e	l <sub>1</sub>	l <sub>2</sub> min.	l <sub>3</sub>	l <sub>4</sub>	l <sub>5</sub>	s min.			F <sub>1</sub> ~	F <sub>2</sub> ~	min.	max.		
[mm]										[mm]	[Nm]	[N]		[°C]		[g]	
with knob, without locking – picture 2, Stainless steel																	
6	M10	18	11.5	49	6	20	7.5	17	6	10	15	5	21	-30	80	18	22120.0786

<sup>1)</sup> statistical average value

Accessories

	Dimensions d <sub>2</sub> [mm]	Wrench size [mm]	Weight [g]	Art. No.
Stainless steel				
	M10	16	5.3	22120.0716

Application example



Compliance

RoHS compliant

Compliant according to Directive 2011/65/EU and Directive 2015/863.

Does not contain SVHC substances

No SVHC substances with more than 0.1% w/w contained - SVHC list [REACH] as of 27.06.2024.

Does not contain Proposition 65 substances

No Proposition 65 substances included.

<https://www.P65Warnings.ca.gov/>

Free from Conflict Minerals

This product does not contain any substances designated as "conflict minerals" such as tantalum, tin, gold or tungsten from the Democratic Republic of Congo or adjacent countries.