

## Clamping Vices

23231.0010



### Product Description

The clamping vice is a solid, compact clamping module with a horizontally acting clamping force and a robust mechanical spindle.

- Clamping force up to max. 80 kN
- Clamping stroke 25 mm via screw drive WS 36
- Fixture via 4 cap screws M 24, quality 8.8 (tightening torque 600 Nm) with a hole spacing 100 x 100 mm
- Suitable clamping jaws 23231.0020 - .0033 are available

### Material

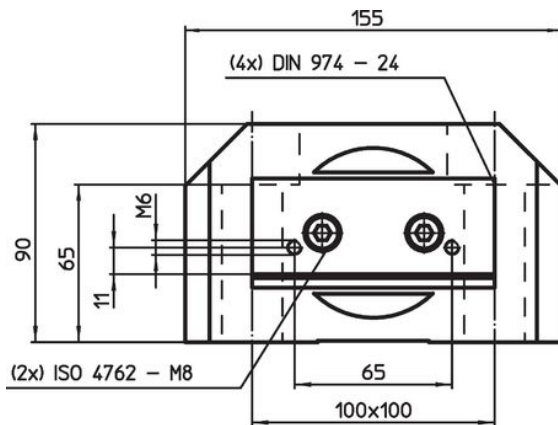
- Steel, case-hardened, ground

### More information

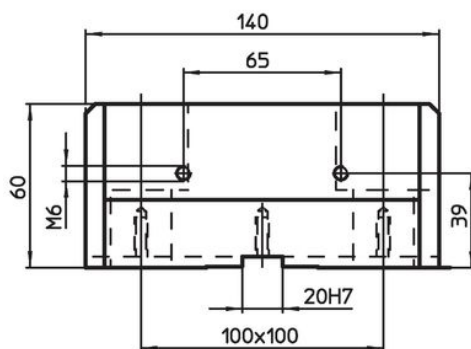
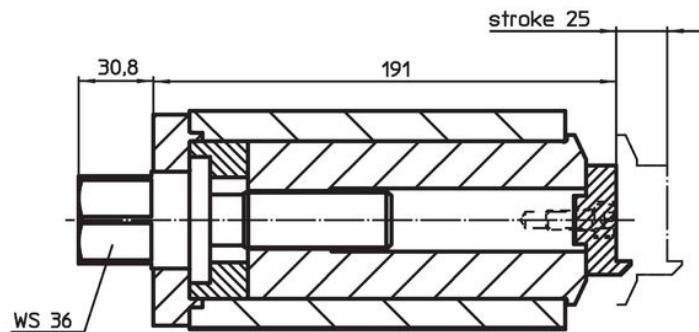
### Further products

- Standard Jaws, for vices
- Interchangeable Jaws, for vices, with pull-down effect
- Clamping Vices, moveable jaw
- Clamping Vices, fixed jaw
- Clamping Vices, replacement jaw, soft
- Clamping Vices, replacement jaw, ribbed/flat

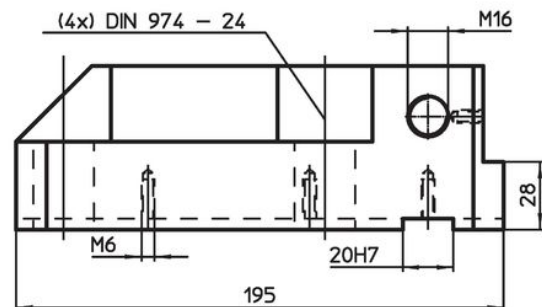
### Drawing




picture 1



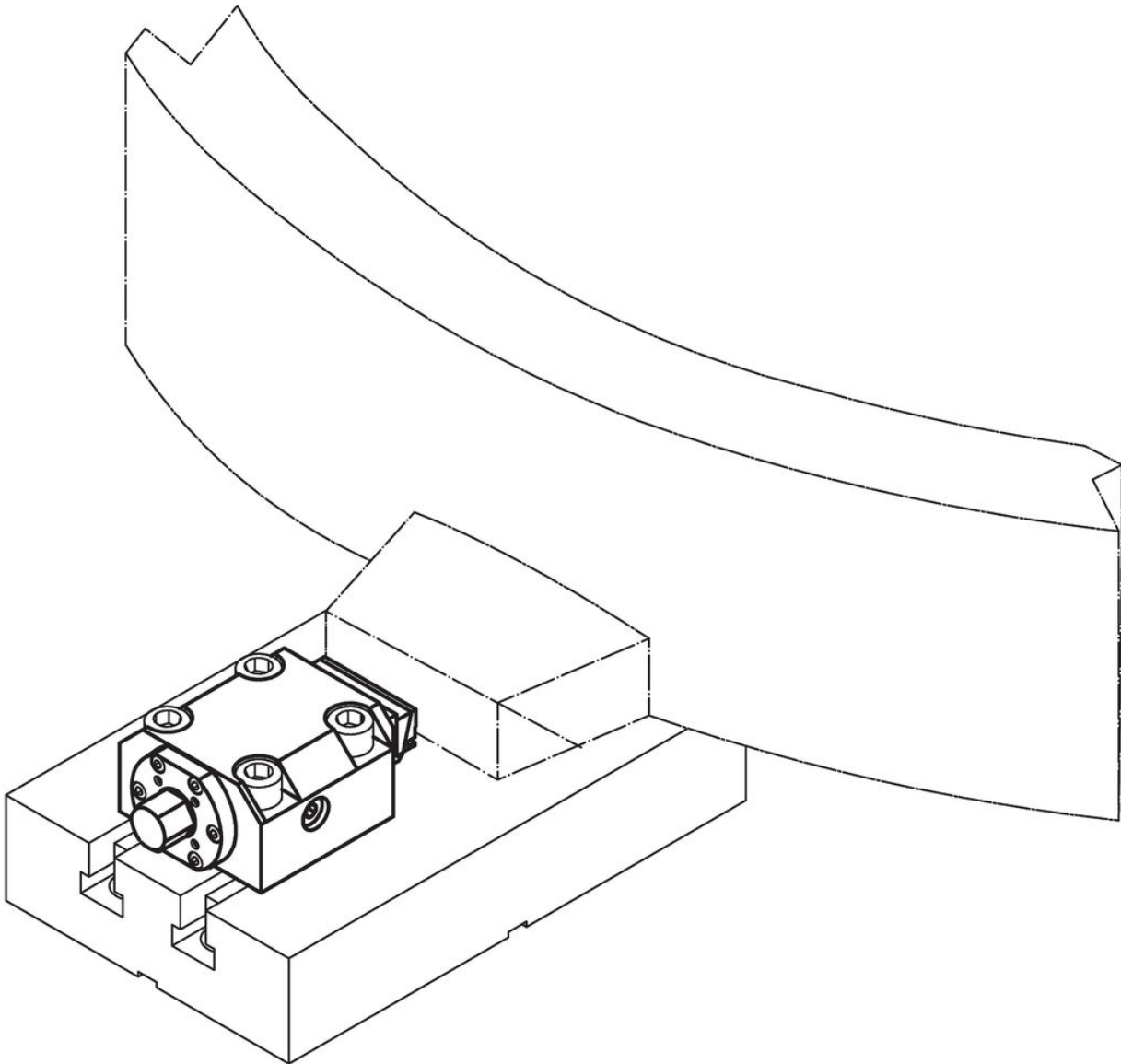
picture 2



### Order information

Clamping force horizontal max. [kN]	Tightening torque max. [Nm]	 [kg]	Art. No.
80	200	16	23231.0010

## Application example



## Compliance

### RoHS compliant

Contains lead - compliant according to exceptions 6a / 6b / 6c.

### Contains SVHC substances >0,1% w/w

Contains lead - SVHC list [REACH] as of 27.06.2024.

### Contains Proposition 65 substances



Lead can cause cancer and reproductive harm from exposure  
<https://www.P65Warnings.ca.gov/>

### Free from Conflict Minerals

This product does not contain any substances designated as "conflict minerals" such as tantalum, tin, gold or tungsten from the Democratic Republic of Congo or adjacent countries.