

Eccentric Clamping Washers

23270.0216



Product Description

The eccentric clamping washers are especially suitable for the clamping of raw parts, e.g. cut-off portions, cast iron parts and forgings.

Material

Eccentric screw

- Steel

Body

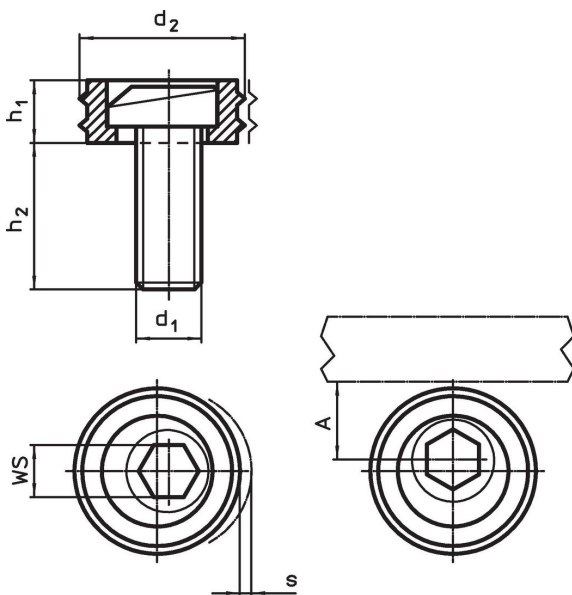
- Steel, case-hardened

More information


Notes

The head of the eccentric screw can slightly protrude from the body (h_1).

Drawing



Order information

| d ₁ | d ₂ | Dimensions | | | A | WS | Clamping force max. [kN] | Tightening torque max. [Nm] |  [g] | Art. No. |
|----------------|----------------|----------------|----------------|-----|----|----|--------------------------|-----------------------------|--|------------|
| | | h ₁ | h ₂ | s | | | | | | |
| M16 | 30.1 | 12.7 | 26.8 | 2.5 | 15 | 12 | 26.7 | 135 | 92 | 23270.0216 |

Application example



Compliance

Compliant according to Directive 2011/65/EU and Directive 2015/863.

No SVHC substances with more than 0.1% w/w contained - SVHC list [REACH] as of 27.06.2024.

No Proposition 65 substances included.
<https://www.P65Warnings.ca.gov/>