

Floating Clamps · compact construction, separate clamping and locking M 12

23320.0010



Product Description

Floating clamps with separate clamping and locking are used to clamp and support additional clamping points on extremely pliable workpieces. Both, clamping and supporting force can be designed individually.

The benefits of the floating clamp are:

- Avoids vibration during the processing
- Clamps ribs, beads and shackles to reinforce clamped components
- Distortion-free clamping of raw parts
- Compact version with reduced height.

Material

Adjustable body

- Aluminium, blue anodised

Body

- Case-hardened steel, nitrided, manganese phosphated and ground

Clamping jaws

- Case-hardened steel, nitrided, manganese phosphated

Assembly

1. Mount the floating clamp onto the device (mounting holes for M 6, see drawing).
2. Adjust the height limit stop and the rotating area with the sleeve, and clamp with set screw (4x WS 2.5). When setting the height limit upwards provide generous clearance (workpiece tolerance).

Operation

1. Push the floating clamp downwards.
2. Pivot the clamping jaws inwards.
3. Release floating clamp. The bottom jaw contacts the workpiece with the force of the contact spring.
4. Tighten the fixture nut (WS 18) (max. torque 15 Nm). **The jaws clamp the workpiece - the clamp is still floating.**
5. Then tighten the hexagon collar nut (WS 10) (max. torque 10 Nm).
6. The workpiece clamping process is complete.
7. Releasing is performed in the reverse order: Release hexagon collar nut (WS 10) - release hexagon nut (WS 18) - pivot out the clamping jaws
8. Floating clamp is in end position.

More information

Notes

For specific clamping situations, the standard clamping jaws supplied can be exchanged or replaced (see catalogue drawing: screw ISO 4762 - M8 - 12.9, M max. = 43 Nm).

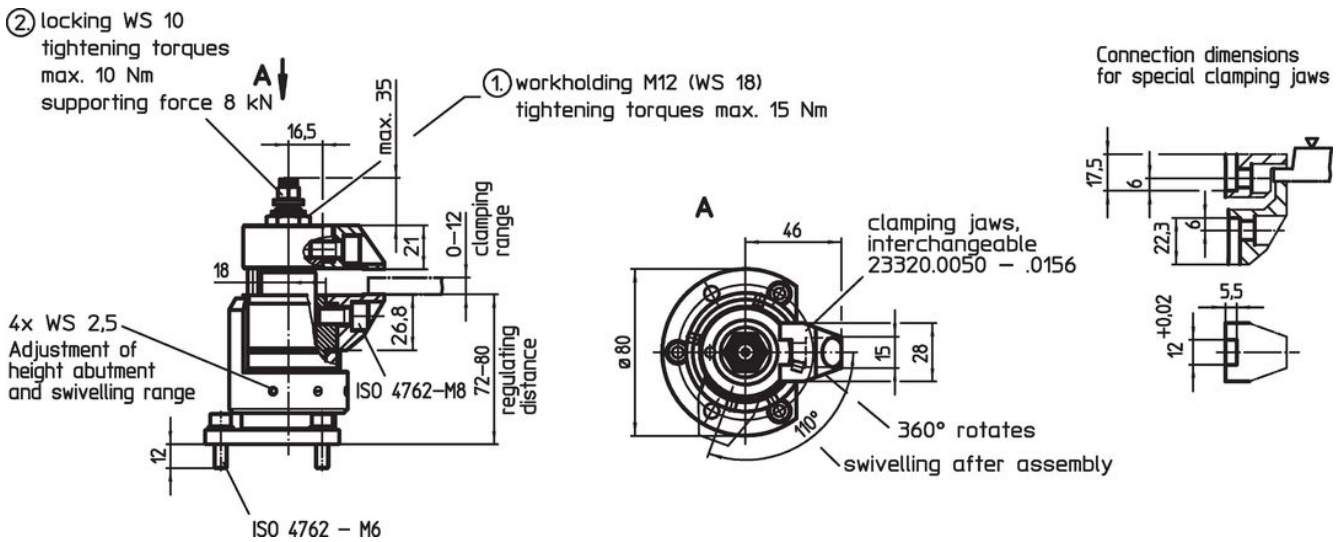
Accessories

As an accessory, we offer clamping jaws with an increased clamping range, refer to 23320.0050-.0058, as well as pivot jaws, refer to 23320.0148-.0156.


Further products

- Nuts for T-Slots, DIN 508
- Nuts for T-Slots, extended
- Standard Clamping Jaws, for floating clamp M 12
- Clamping Jaws, for floating clamp M 12

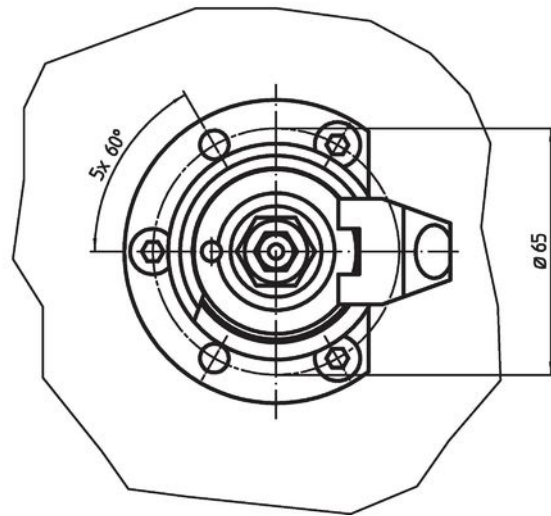
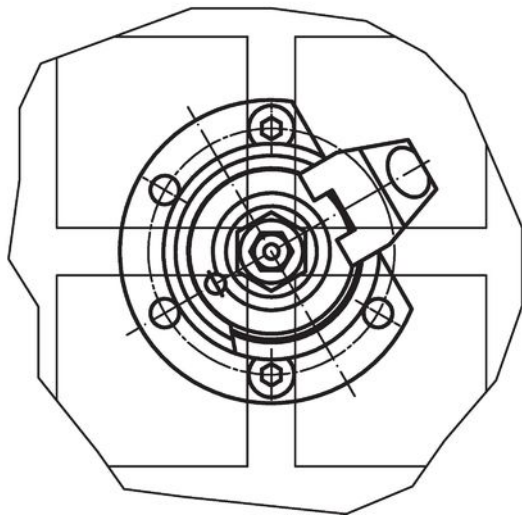
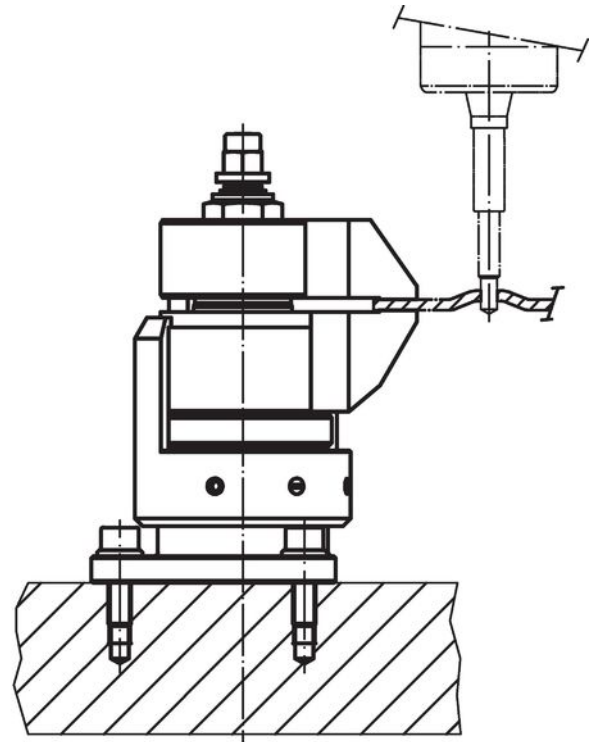
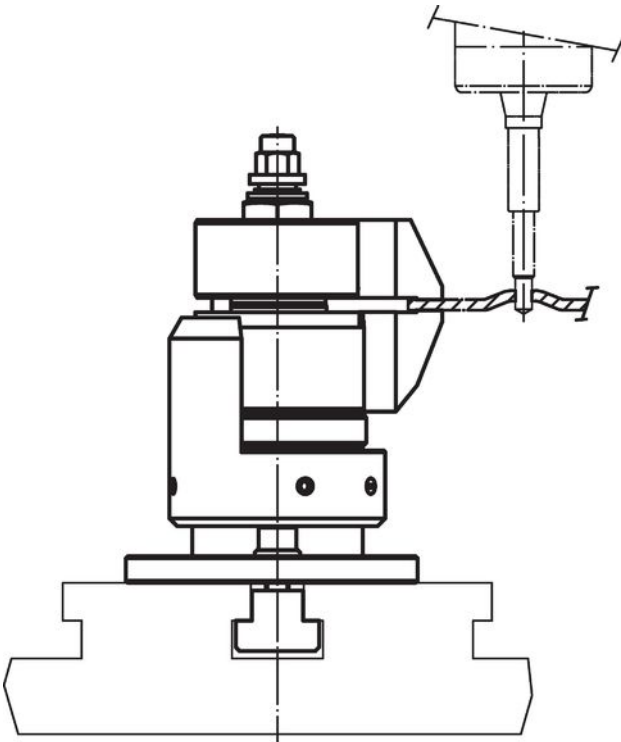
Drawing



Order information

	Art. No.
 [g] 1663	23320.0010

Application example



Compliance

RoHS compliant

Contains lead - compliant according to exceptions 6a / 6b / 6c.

Contains SVHC substances >0,1% w/w

Contains lead - SVHC list [REACH] as of 27.06.2024.

Contains Proposition 65 substances



Lead can cause cancer and reproductive harm from exposure
<https://www.P65Warnings.ca.gov/>

Free from Conflict Minerals

This product does not contain any substances designated as "conflict minerals" such as tantalum, tin, gold or tungsten from the Democratic Republic of Congo or adjacent countries.