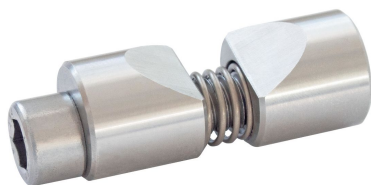


## Shaft Clamps

23341.0512



### Product Description

Shaft clamps are used to clamp round workpieces, e.g. shafts, axels, tubes or rods both axially and radially.

### Material

#### Body

- Stainless steel 1.4305

#### Spring

- Stainless steel

#### Clamping screw

- Steel, zinc-plated
- Stainless Steel

### Assembly

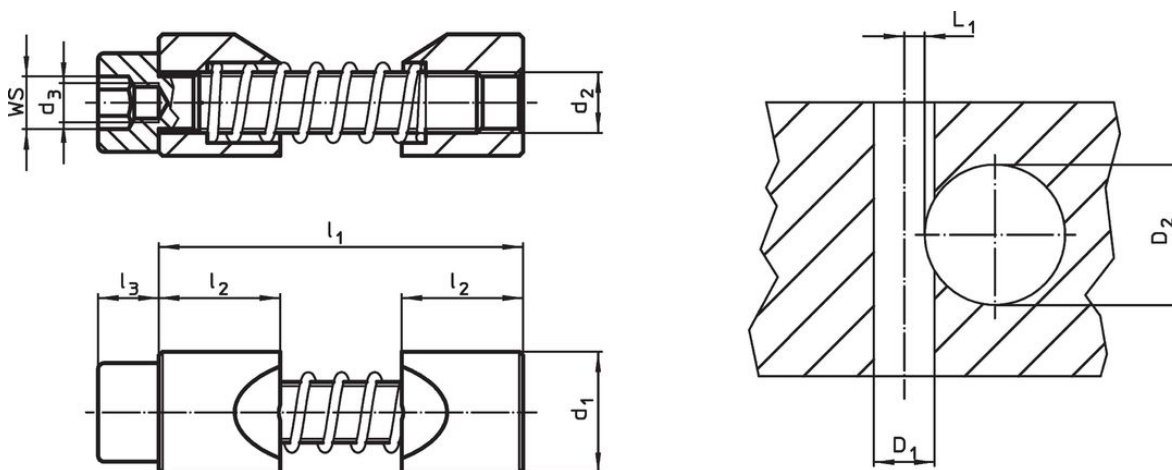
- Expand the clamping jaws to the diameter of the shaft to be clamped.
- Insert shaft clamp into hole using the assembly tool.
- Insert and position the shaft.
- Clamp using cylinder screw WS (observe tightening torque).

### More information

### Notes

The thread  $d_3$  serves to hold the assembly tool (optional).


### Drawing



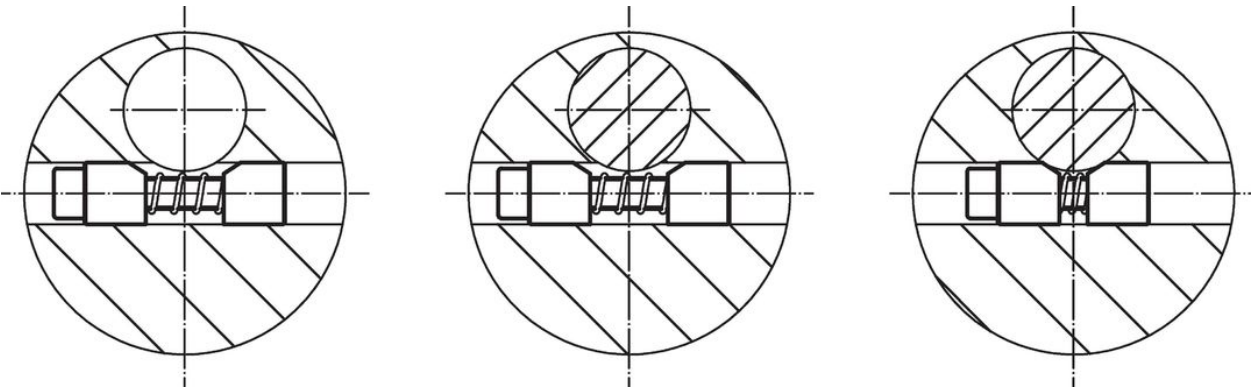
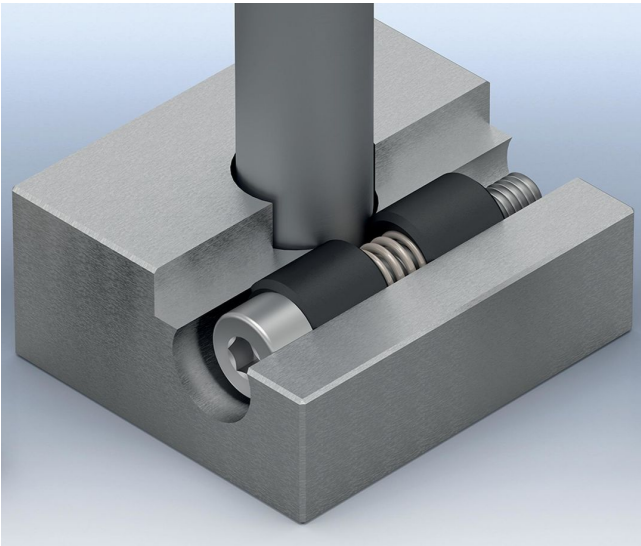
### Order information

| $d_1$<br>h11    | $d_2$ | Dimensions |               |       | WS | Tightening torque<br>max. | Location hole |                         |                         | Art. No. |               |            |     |
|-----------------|-------|------------|---------------|-------|----|---------------------------|---------------|-------------------------|-------------------------|----------|---------------|------------|-----|
|                 |       | $d_3$      | $l_1$<br>max. | $l_2$ |    |                           | $l_3$         | Hub bore<br>$D_1$<br>H7 | Shaft diameter<br>$D_2$ |          | $L_1$<br>+0.2 |            |     |
| [mm]            |       |            |               |       |    |                           |               |                         |                         |          | [Nm]          | [mm]       | [g] |
| Stainless steel |       |            |               |       |    |                           |               |                         |                         |          |               |            |     |
| 12              | M6    | M4         | 39            | 12    | 6  | 5                         | 10            | 12                      | 15 – 20                 | 3.5      | 21            | 23341.0512 |     |

### Accessories

|  | WS   | d    |     | Art. No.   |
|--|------|------|-----|------------|
|  | [mm] | [mm] | [g] |            |
| special hexagon key  |      |      |     |            |
|  | 5    | M 4  | 17  | 23341.1012 |

## Application example



## Compliance

### RoHS compliant

Compliant according to Directive 2011/65/EU and Directive 2015/863.

### Does not contain SVHC substances

No SVHC substances with more than 0.1% w/w contained - SVHC list [REACH] as of 27.06.2024.

### Does not contain Proposition 65 substances

No Proposition 65 substances included.

<https://www.P65Warnings.ca.gov/>

### Free from Conflict Minerals

This product does not contain any substances designated as "conflict minerals" such as tantalum, tin, gold or tungsten from the Democratic Republic of Congo or adjacent countries.