

## Shaft Clamps

### 23341.0525



#### Product Description

Shaft clamps are used to clamp round workpieces, e.g. shafts, axels, tubes or rods both axially and radially.

#### Material

##### Body

- Stainless steel 1.4305

##### Spring

- Stainless steel

##### Clamping screw

- Steel, zinc-plated
- Stainless Steel

#### Assembly

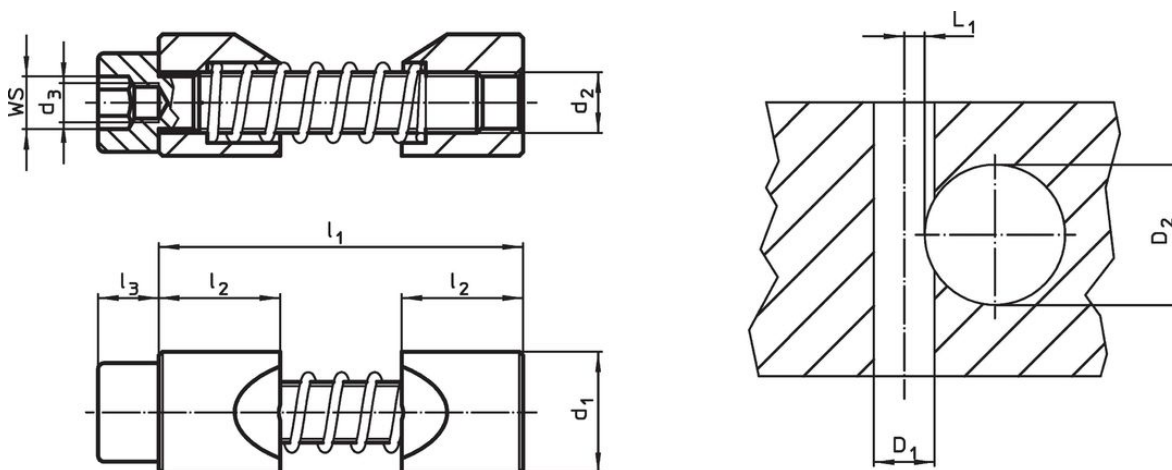
- Expand the clamping jaws to the diameter of the shaft to be clamped.
- Insert shaft clamp into hole using the assembly tool.
- Insert and position the shaft.
- Clamp using cylinder screw WS (observe tightening torque).

#### More information

#### Notes

The thread  $d_3$  serves to hold the assembly tool (optional).


#### Drawing



#### Order information

$d_1$ h11	$d_2$	Dimensions				WS	Tightening torque max.	Location hole			Art. No.	
		$d_3$	$l_1$ max.	$l_2$	$l_3$			Hub bore $D_1$ H7	Shaft diameter $D_2$	$L_1$ +0.2		
		[mm]				[mm]	[Nm]	[mm]			[g]	
Stainless steel												
25	M12	M8	70	25	12	10	82	25	40 – 60	5.6	183	23341.0525

#### Accessories

	WS	d		Art. No.
	[mm]	[mm]	[g]	
special hexagon key				
	10	M 8	95	23341.1025

## Application example



## Compliance

### RoHS compliant

Compliant according to Directive 2011/65/EU and Directive 2015/863.

### Does not contain SVHC substances

No SVHC substances with more than 0.1% w/w contained - SVHC list [REACH] as of 27.06.2024.

### Does not contain Proposition 65 substances

No Proposition 65 substances included.

<https://www.P65Warnings.ca.gov/>

### Free from Conflict Minerals

This product does not contain any substances designated as "conflict minerals" such as tantalum, tin, gold or tungsten from the Democratic Republic of Congo or adjacent countries.