

## Clamping Claws

23370.0053



### Product Description

Clamping claws are used as precision clamping element in conventional fixtures. A locating hole is provided in the body of the fixture. The hole depth has to be adapted to the desired clamping height.

For the version with ground support surface (picture 1), a support can be attached to the rounded claw part (radius 22) to absorb the counter force. This support can be flat, half-rounded or V-shaped.

For the version with positioning bushing (picture 2), a support to absorb the counterforce is not necessary. The positioning bushing, which must be inserted into the fixture, serves as a support for the clamping claw. This bushing is included in the scope of delivery and can also be ordered separately as an accessory.

Clamping is achieved by means of an enclosed hexagon screw DIN 933 (ISO 4017).

### Material

#### Body

- Case-hardened steel, case-hardened, blackened and ground

#### Disc

- Heat-treated steel, tempered, punched, mechanically trued, phosphatized

#### Spring

- Spring steel wire

#### Clamping screw

- Heat-treated steel

### More information

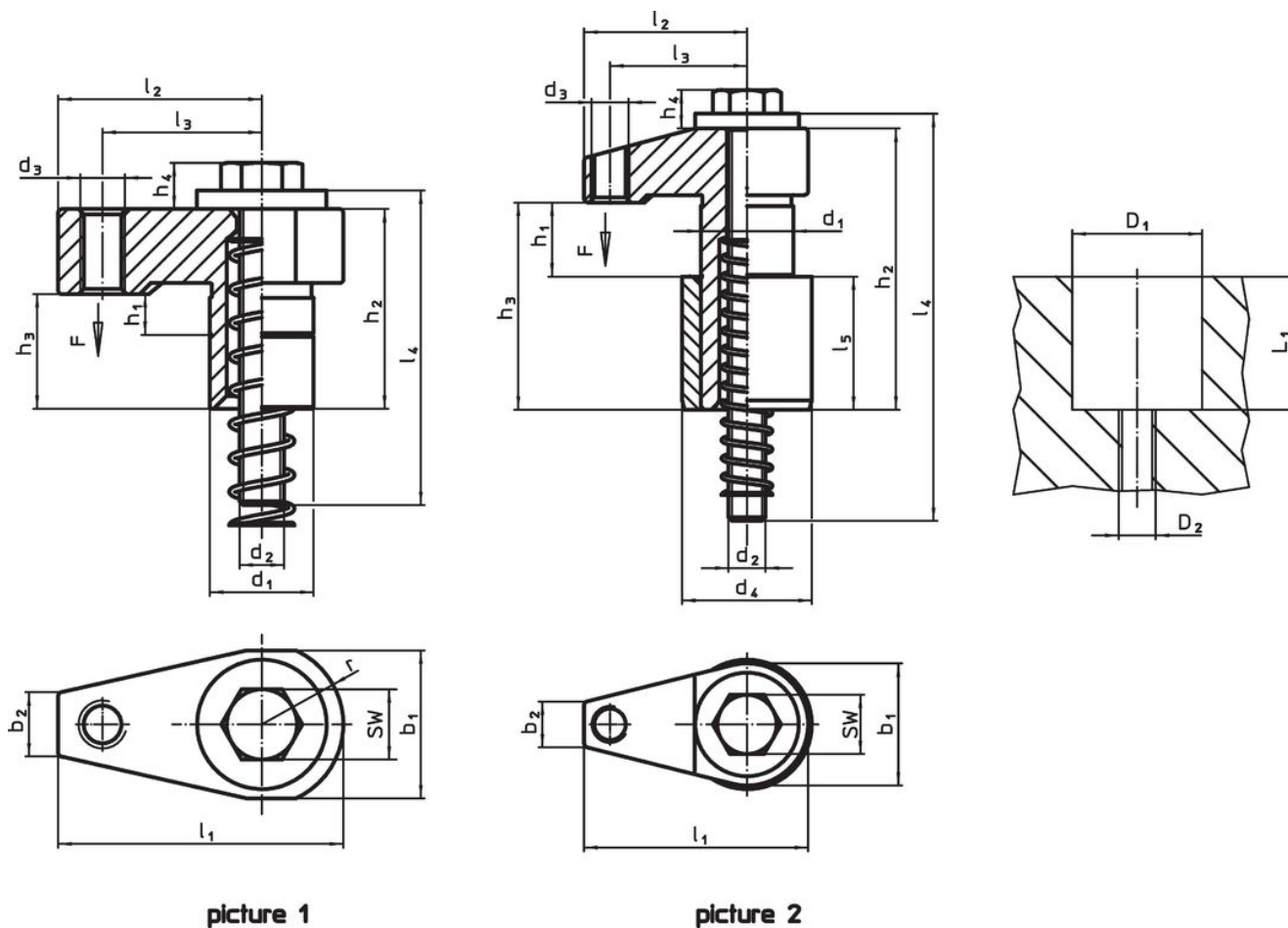
#### Notes

The tightening torque depends on the specific mounting situation.

#### References

The clamping height can be reduced by using clamping inserts, e.g. EH 22730.

### Drawing



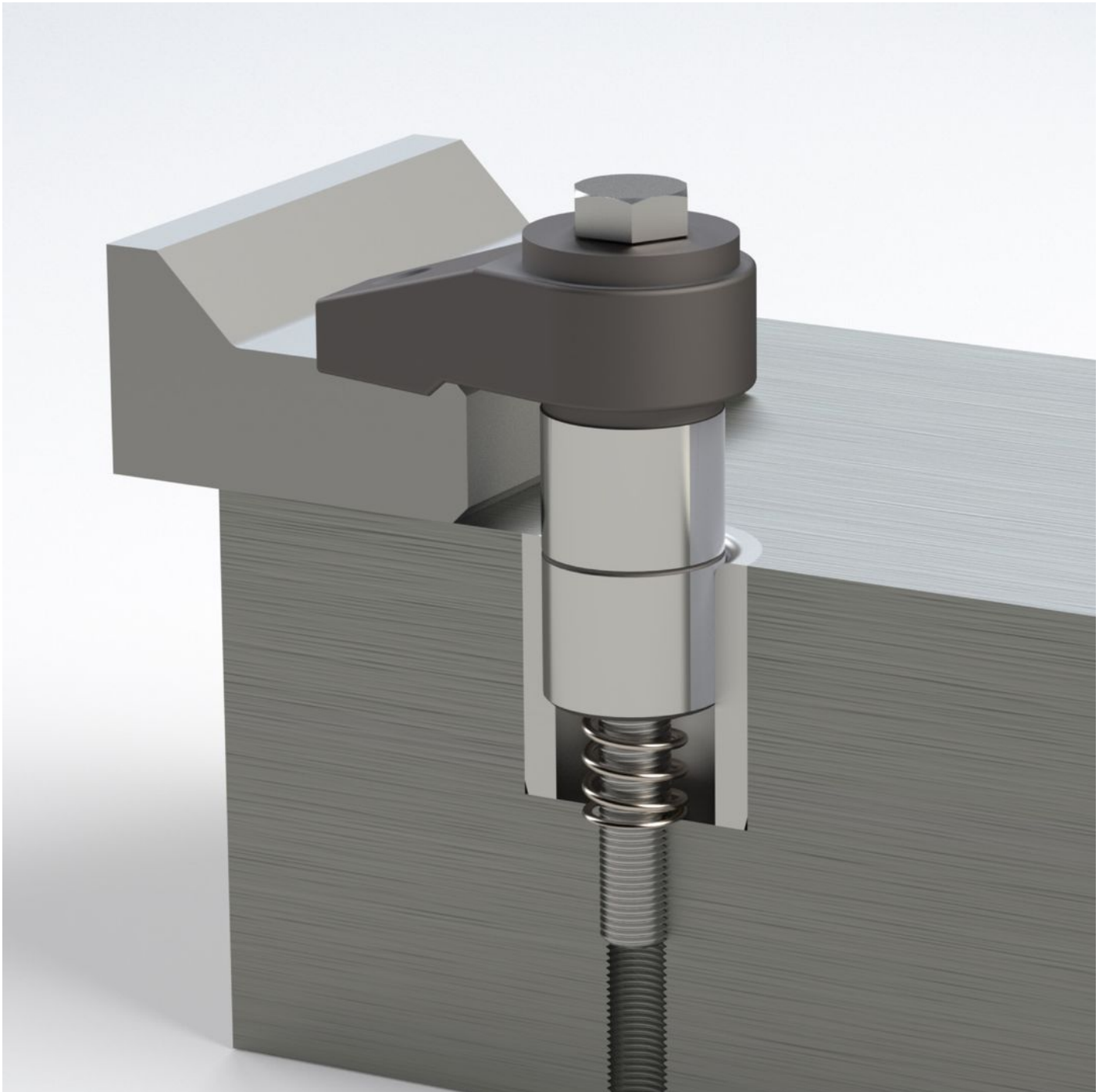
picture 1

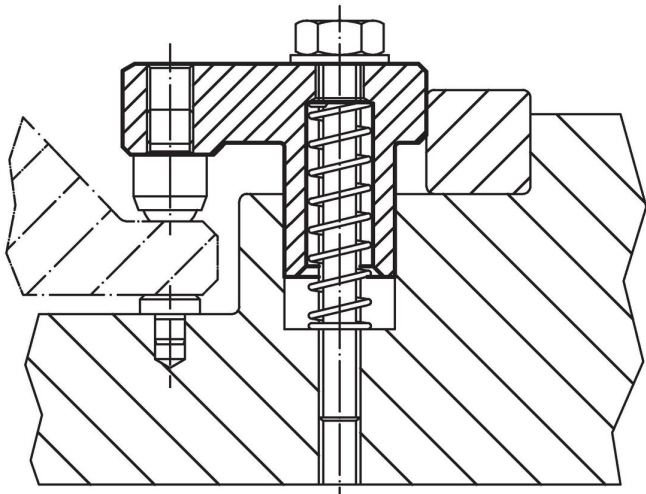
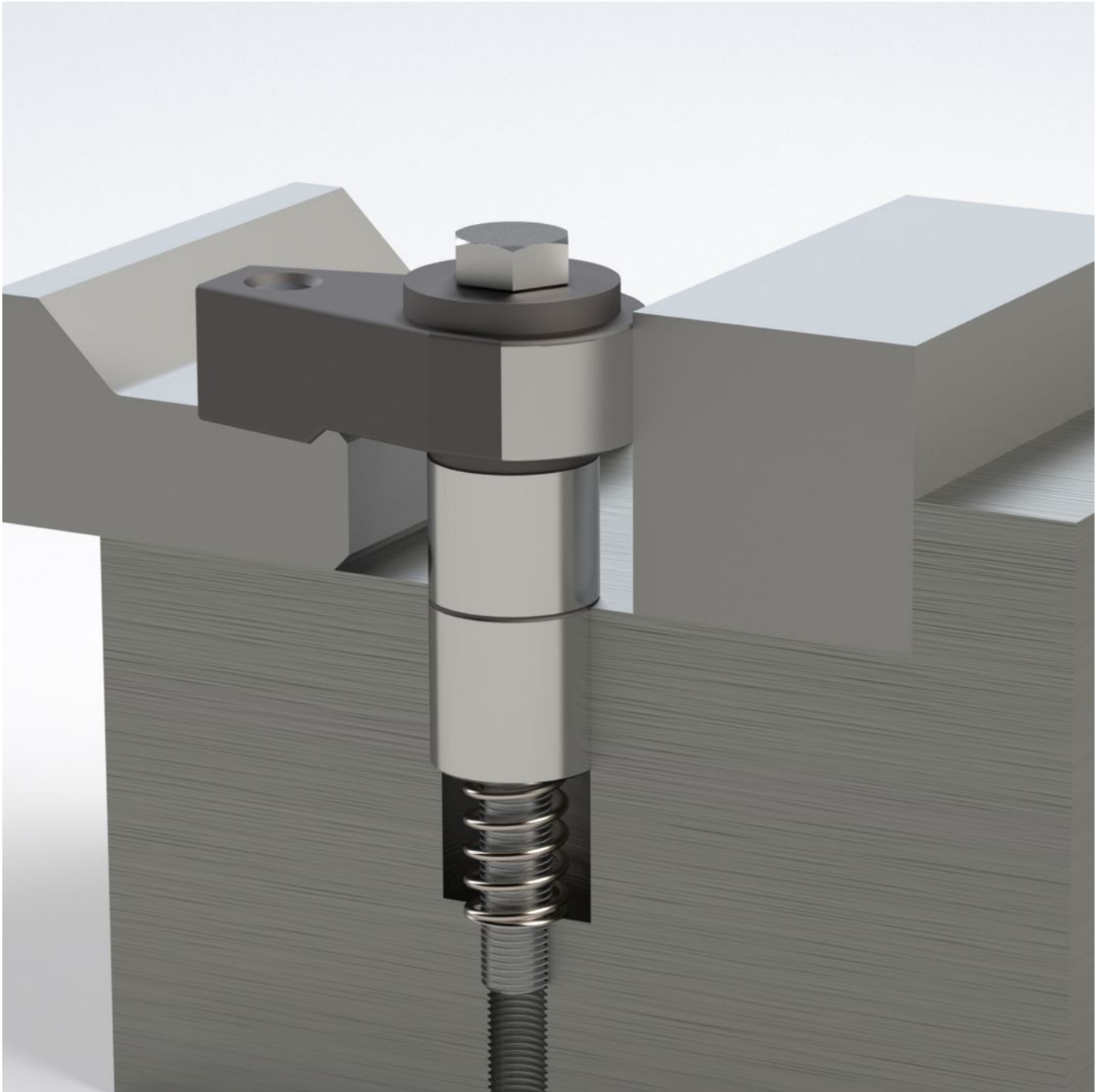
picture 2

Order information

| Dimensions                                 |                |                |                |                |                |                |                |                |                |                |                |    |      | Stroke | WS | Location hole |    |      | Clamping force | Tightening torque max. | Art. No.                   |    |  |  |  |  |  |  |
|--|----------------|----------------|----------------|----------------|----------------|----------------|----------------|----------------|----------------|----------------|----------------|----|------|--------|----|---------------|----|------|----------------|------------------------|----------------------------|----|--|--|--|--|--|--|
| d <sub>1</sub>                             | h <sub>1</sub> | b <sub>1</sub> | d <sub>2</sub> | d <sub>3</sub> | h <sub>2</sub> | h <sub>3</sub> | h <sub>4</sub> | l <sub>1</sub> | l <sub>2</sub> | l <sub>3</sub> | l <sub>4</sub> | r  | [mm] | [mm]   | D1 | D2            | L1 | [kN] | [Nm]           | [g]                    |                            |    |  |  |  |  |  |  |
| f7   |                |                |                |                | [mm]           |                |                |                |                |                |                |    |      |        |    |               |    |      | ±0.02          |                        |                            | H7 |  |  |  |  |  |  |
| with ground supporting surface – picture 1 |                |                |                |                |                |                |                |                |                |                |                |    |      |        |    |               |    |      |                |                        |                            |    |  |  |  |  |  |  |
| 28   | 0-25           | 40             | M12            | M12            | 53             | 76             | 13             | 77             | 55             | 43             | 120            | 22 | 25   | 18     | 28 | M12           | 51 | 10   | 30             | 614                    | <a href="#">23370.0053</a> |    |  |  |  |  |  |  |

Application example





## Compliance

### RoHS compliant

Compliant according to Directive 2011/65/EU and Directive 2015/863.

### Does not contain SVHC substances

No SVHC substances with more than 0.1% w/w contained - SVHC list [REACH] as of 23.01.2024.

### Does not contain Proposition 65 substances

No Proposition 65 substances included.

<https://www.P65Warnings.ca.gov/>

### Free from Conflict Minerals

This product does not contain any substances designated as "conflict minerals" such as tantalum, tin, gold or tungsten from the Democratic Republic of Congo or adjacent countries.