

**Crank Handles · DIN 469 straight with square end DIN 79**  
24330.0061



**Product Description**

With these crank handles, the seam is ground and blasted. The hub is machined.

**Material**

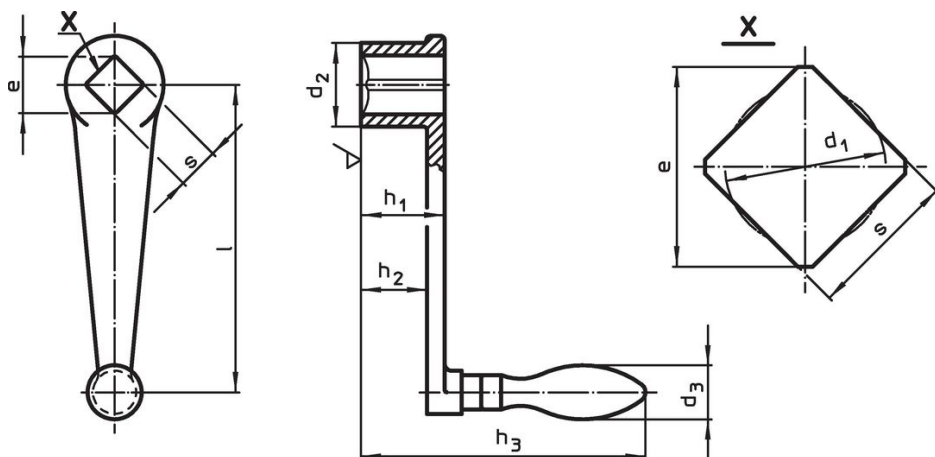
**Machine handle**

- Steel, turned, zinc-plated by galvanization, passivated

**Handle body**

- Nodular cast iron, plastic coated, black

**Drawing**



**Order information**

| l   | s<br>H11 | e<br>min. | Dimensions     |                |                |                     |                | d <sub>3</sub><br>Machine handle Ø | [g] | Art. No.   |
|---|----------|-----------|----------------|----------------|----------------|---------------------|----------------|------------------------------------|-----|------------|
|   |          |           | d <sub>1</sub> | d <sub>2</sub> | h <sub>1</sub> | h <sub>2</sub><br>~ | h <sub>3</sub> |                                    |     |            |
| <b>with rotating machine handle (EH 24460., DIN 98), form D</b> |          |           |                |                |                |                     |                |                                    |     |            |
| 200   | 22       | 28.2      | 23.1           | 44             | 44             | 34                  | 160            | 28                                 | 992 | 24330.0061 |

**Compliance**

**RoHS compliant**

Contains lead - compliant according to exceptions 6a / 6b / 6c.

**Contains SVHC substances >0,1% w/w**

Contains lead - SVHC list [REACH] as of 27.06.2024.

**Contains Proposition 65 substances**



Lead can cause cancer and reproductive harm from exposure  
<https://www.P65Warnings.ca.gov/>

**Free from Conflict Minerals**

This product does not contain any substances designated as "conflict minerals" such as tantalum, tin, gold or tungsten from the Democratic Republic of Congo or adjacent countries.