

## Cylindrical Handles • rotating

24530.0220



### Product Description

#### Material

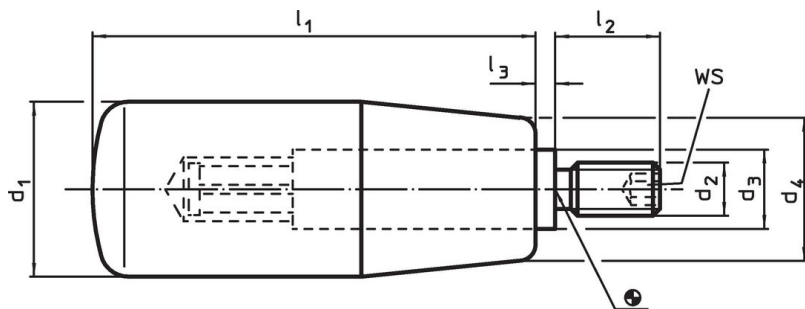
##### Axle part

- Stainless steel 1.4305

##### Cylindrical handle

- Thermosetting plastic PF 31, black

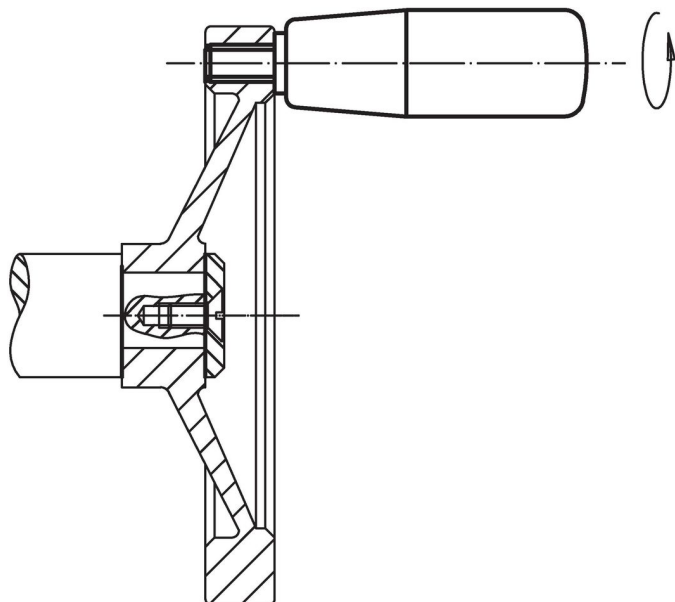
### Drawing



### Order information

Dimensions							WS	max.		Art. No.
d <sub>1</sub>	d <sub>2</sub>	d <sub>3</sub>	d <sub>4</sub>	l <sub>1</sub>	l <sub>2</sub>	l <sub>3</sub>	[mm]	[°C]	[g]	
Thermosetting plastic, Stainless steel										
21	M6	10	17	50	13	2.5	3	110	42	24530.0220

### Application example



## Compliance

### RoHS compliant

Compliant according to Directive 2011/65/EU and Directive 2015/863.

### Does not contain SVHC substances

No SVHC substances with more than 0.1% w/w contained - SVHC list [REACH] as of 27.06.2024.

### Does not contain Proposition 65 substances

No Proposition 65 substances included.

<https://www.P65Warnings.ca.gov/>

### Free from Conflict Minerals

This product does not contain any substances designated as "conflict minerals" such as tantalum, tin, gold or tungsten from the Democratic Republic of Congo or adjacent countries.