

## Quick Plug Couplings · with angular and radial offset compensation

25100.0412



### Product Description

Quick plug coupling, adjustable without axial play, including angular and radial offset compensation. Suitable for multiple applications, e.g. for non-aligned linear movements. Solid and compact design, no loose elements.

### Material

#### Claw

- Heat-treated steel, tempered, phosphated

#### Seat

- Heat-treated steel, tempered, phosphated

#### Coupling part

- Heat-treated steel, nitrided, black

#### Nut

- Heat-treated steel, phosphated

#### Lock nut

- Steel, black (ISO 4035/8675)

#### Spring

- Stainless steel

### Assembly

Assembly and disassembly is by means of a T-slot; a manual re-adjustment is not necessary.

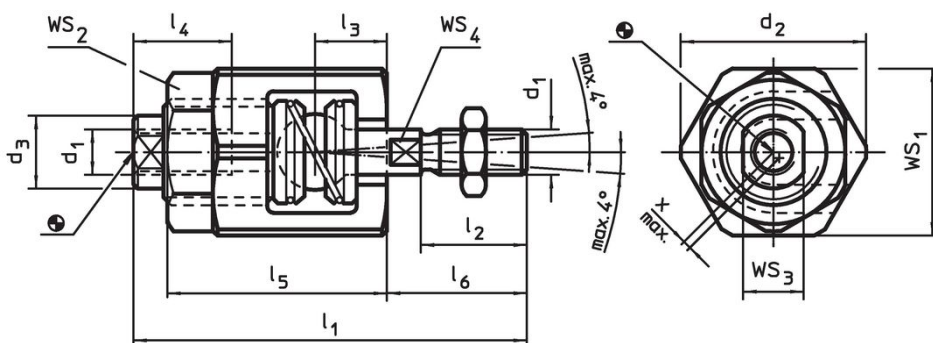
The quick plug coupling can be linked to all commonly used pneumatic and hydraulic lifting cylinders via the connecting thread.

### More information

### Notes

The quick plug coupling does not transmit any torque.

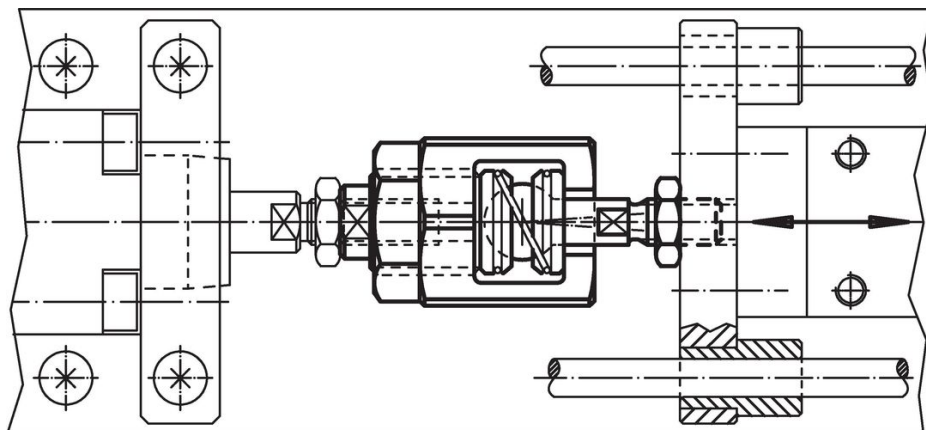
### Drawing



### Order information

d <sub>1</sub>	d <sub>2</sub>	d <sub>3</sub>	Dimensions						WS				Radial offset compensation x max. [mm]	Maximum tensile and compressive load max. [kN]	[g]	Art. No.
			l <sub>1</sub>	l <sub>2</sub>	l <sub>3</sub>	l <sub>4</sub> min.	l <sub>5</sub>	l <sub>6</sub>	WS <sub>1</sub>	WS <sub>2</sub>	WS <sub>3</sub>	WS <sub>4</sub>				
[mm]																
M12	44	21	85	26	16	24	43	34.5	41	36	18	12	0.7	10	399	25100.0412

### Application example



## Compliance

### RoHS compliant

Contains lead - compliant according to exceptions 6a / 6b / 6c.

### Contains SVHC substances >0,1% w/w

Contains lead - SVHC list [REACH] as of 27.06.2024.

### Contains Proposition 65 substances



Lead can cause cancer and reproductive harm from exposure  
<https://www.P65Warnings.ca.gov/>

### Free from Conflict Minerals

This product does not contain any substances designated as "conflict minerals" such as tantalum, tin, gold or tungsten from the Democratic Republic of Congo or adjacent countries.