

Base Plates • suitable on pallets DIN 55 201  
EH 1100.700 - EH 1103.500



Product Description

Material

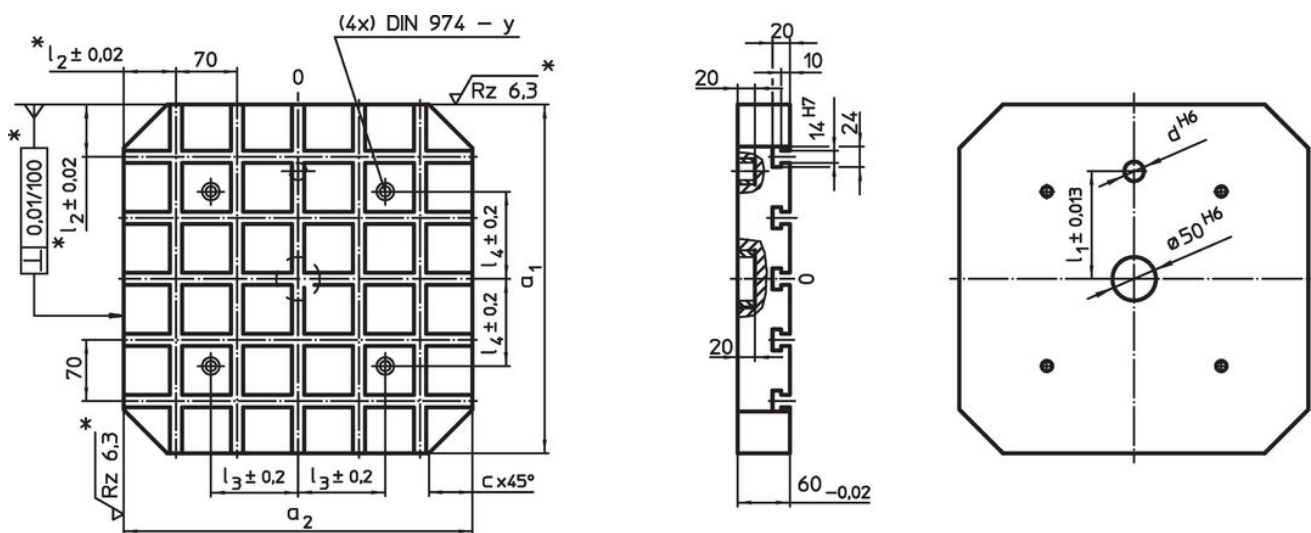
- Steel, hardened, ground

More information

Notes

Customized design on request.

Drawing



\* These tolerances are valid only for optional exterior stop type.  
Slot spacing  $70 \pm 0,01$ .

Order information

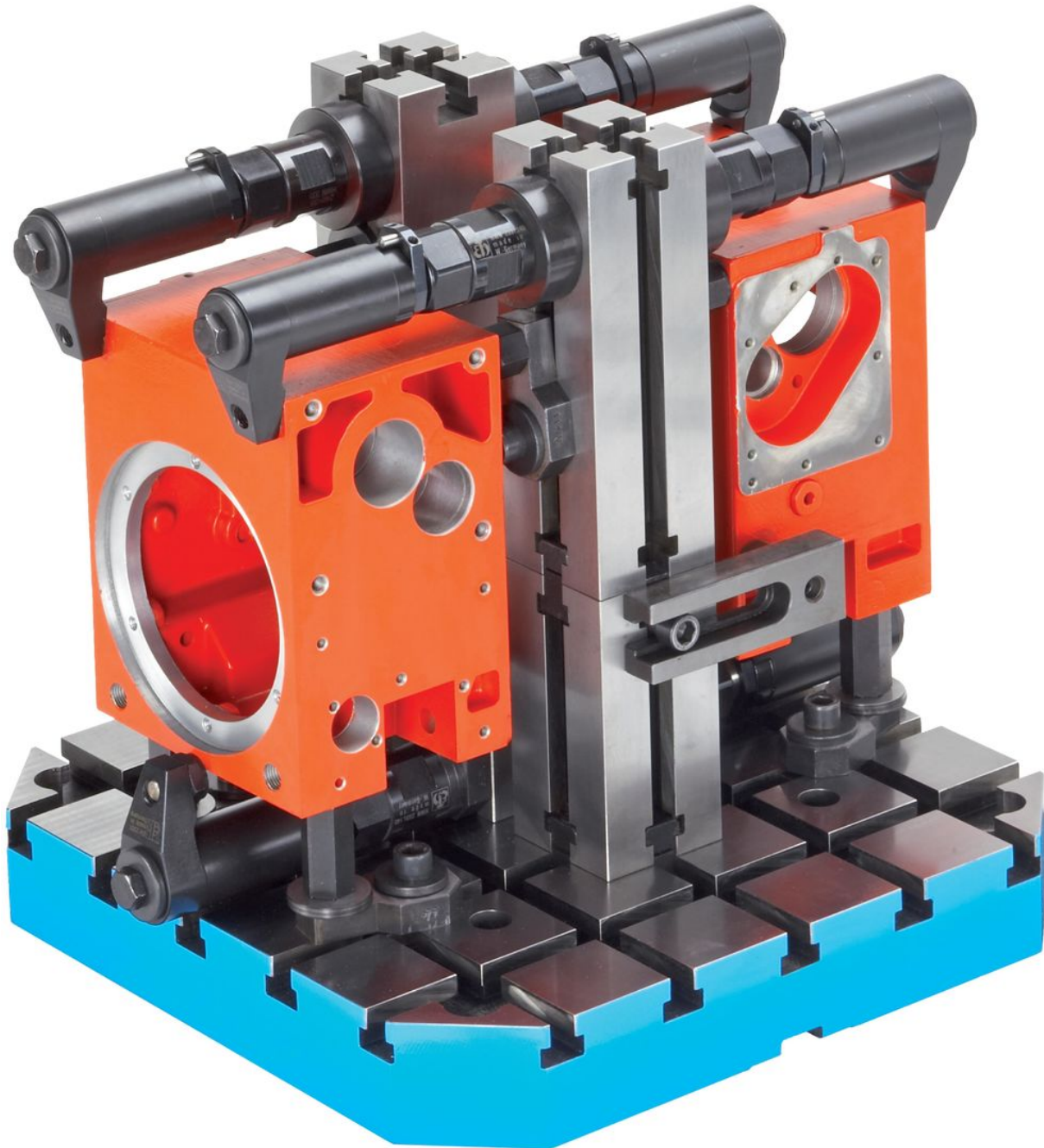
System	$a_1 \times a_2$	c	d	Dimensions				For screws	y	Number of T-slots	📦 [kg]	Art. No.
				$l_1$ $\pm 0,013$	$l_2$	$l_3$	$l_4$					
				[mm]				[mm]	[mm]			
V70	400 x 400	50	20	150	60	100	100	M12	12	5 x 5	56	1100.700
V70	500 x 500	60	20	200	40	200	200	M12	12	7 x 7	84	1100.800
V70	630 x 630	70	25	200	35	200	200	M16	16	9 x 9	155	1100.900
V70	400 x 500	50	20	150	60/40	200	100	M12	12	5 x 7	69	1103.300
V70	500 x 630	60	20	200	40/35	200	200	M12	12	7 x 9	121	1103.500

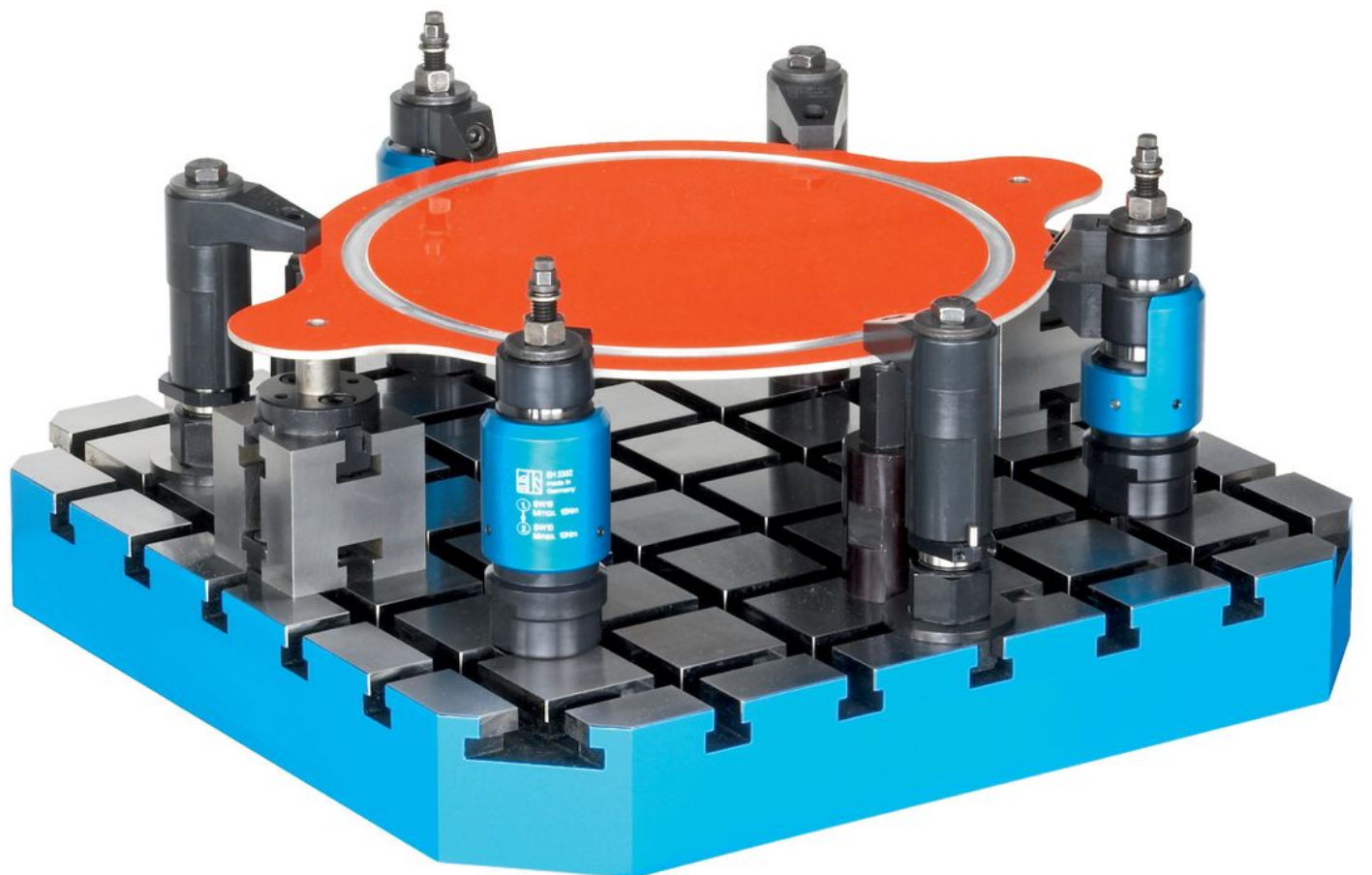
Application example

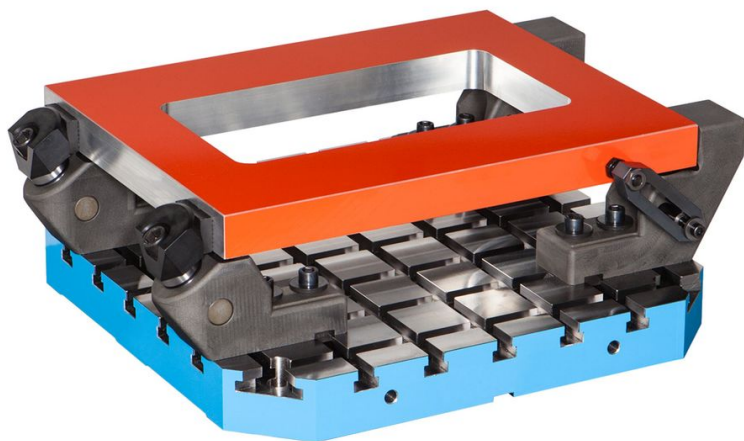












## Compliance

### RoHS compliant

Compliant according to Directive 2011/65/EU and Directive 2015/863.

### Does not contain SVHC substances

No SVHC substances with more than 0.1% w/w contained - SVHC list [REACH] as of 27.06.2024.

### Does not contain Proposition 65 substances

No Proposition 65 substances included.

<https://www.P65Warnings.ca.gov/>

### Free from Conflict Minerals

This product does not contain any substances designated as "conflict minerals" such as tantalum, tin, gold or tungsten from the Democratic Republic of Congo or adjacent countries.