

Clamping Bars • length 200
EH 1585.

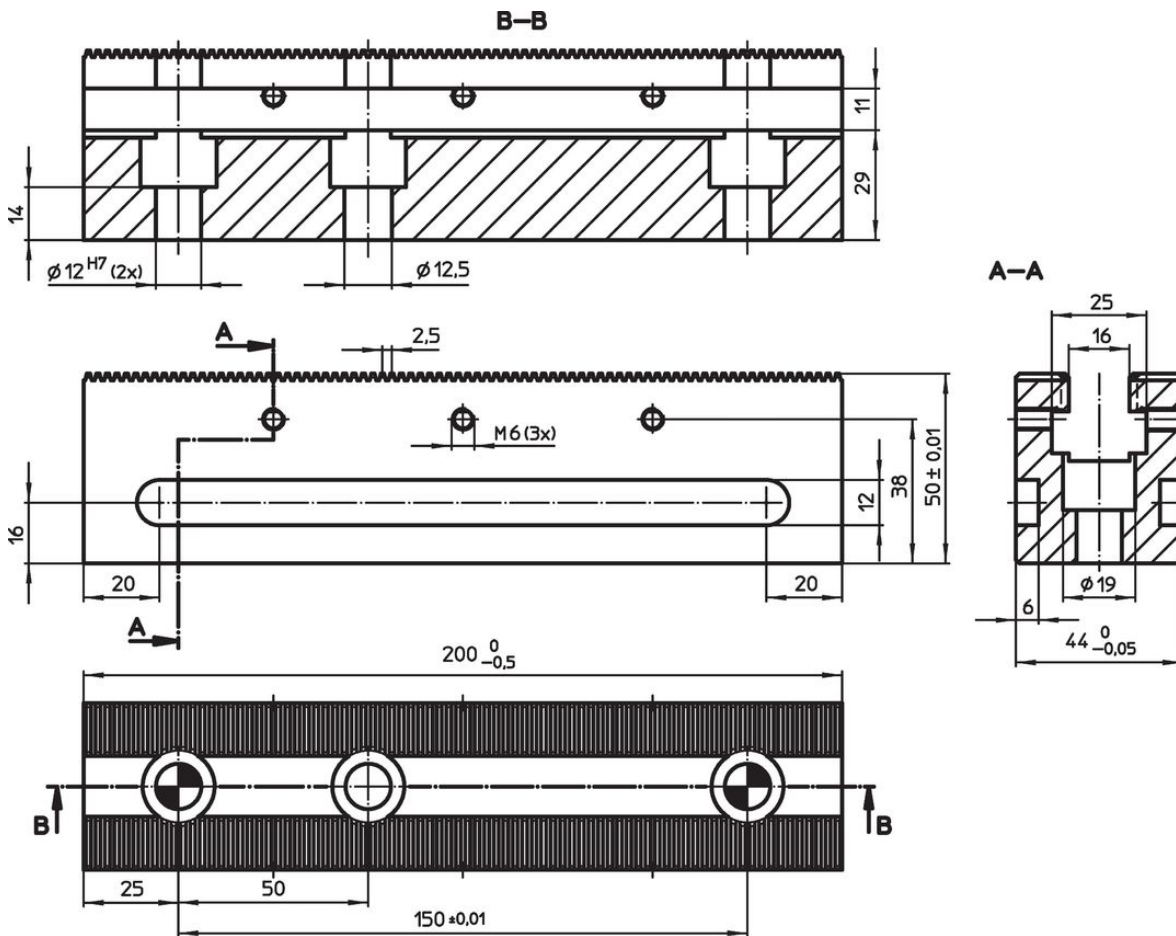


Product Description

Material

- Tool steel, hardened



Drawing



Order information

[kg]	Art. No.
2	1585.200

Accessories

	Number locating screws M12 x 45	Number cap screws M12 x 45	 [g]	Art. No.
fixing screws for clamping bars				
	2	1	155	1585.201

Compliance

For detailed compliance information please select the desired article number.