

Clamping Angles

EH 1906.



Product Description

Material

- Grey cast iron GG

More information

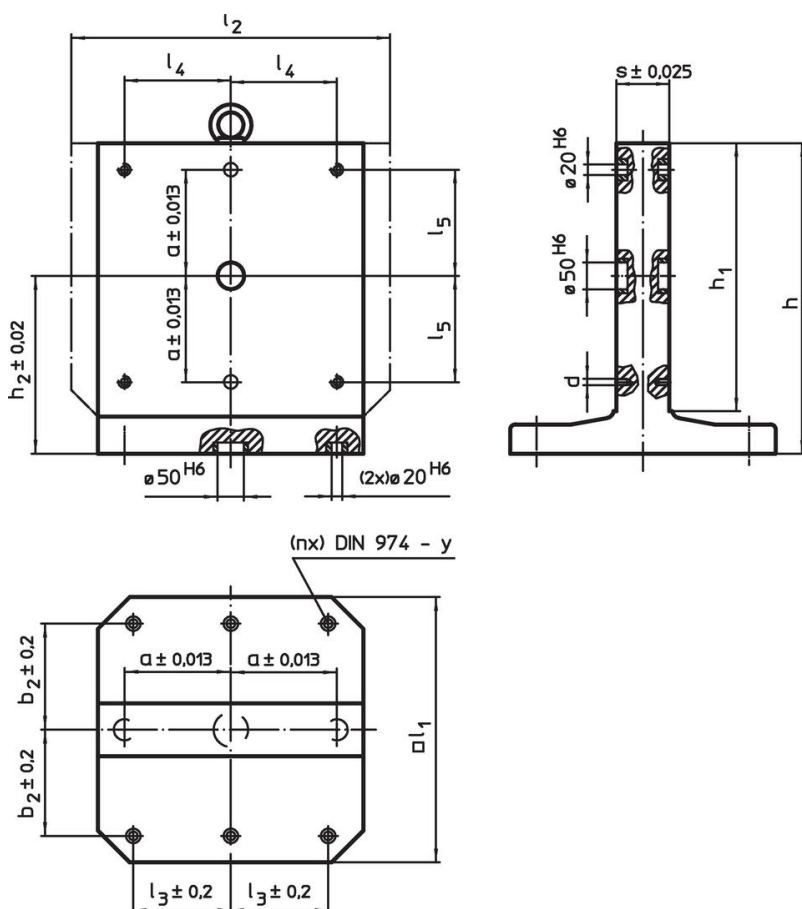
Notes

Special plates on request.

Further products

- Threaded Lifting Pins, self-locking

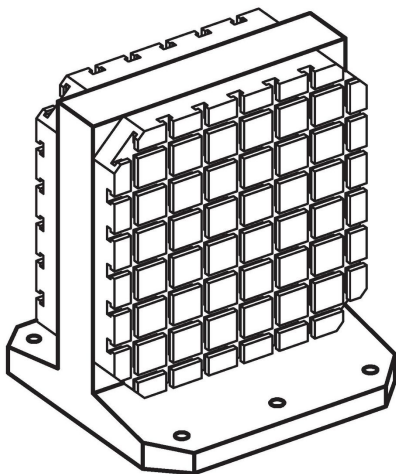
Drawing



Order information

l ₁	l ₂	h ₁	h	Dimensions								y	For screws	Number of fastening holes n	[kg]	Art. No.
				a ±0.013	b ₂ ±0.2	l ₃ ±0.2	l ₄	l ₅	h ₂ ±0.02	s ±0.025	d					
[mm]													[mm]	[mm]	[kg]	
400	-	400	475	150	150	150	100	100	275	80	M12	12	M12	4	147	1906.240
400	500	400	475	150	150	150	200	100	275	80	M12	12	M12	4	168	1906.340
500	-	500	595	200	200	200	200	200	345	100	M12	12	M12	6	295	1906.440
500	630	500	595	200	200	200	200	200	345	100	M12	12	M12	6	326	1906.540
630	-	630	725	200	200	200	200	200	410	130	M16	16	M12	6	445	1906.640

Application example



Compliance

RoHS compliant

Contains lead - compliant according to exceptions 6a / 6b / 6c.

Contains SVHC substances >0,1% w/w

Contains lead - SVHC list [REACH] as of 27.06.2024.

Contains Proposition 65 substances



Lead can cause cancer and reproductive harm from exposure
<https://www.P65Warnings.ca.gov/>

Free from Conflict Minerals

This product does not contain any substances designated as "conflict minerals" such as tantalum, tin, gold or tungsten from the Democratic Republic of Congo or adjacent countries.