

## Spring Plungers • long version EH 22070.



### Product Description

To be used for ejecting, as a detent, for applying pressure or as a shock element.

### Material

#### Pin

- Steel, case-hardened, black
- Stainless Steel 1.4305, nitrided

#### Body

- Free cutting steel, blackened
- Stainless steel 1.4305
- Heat-treated steel, tempered, blackened

#### Spring

- Stainless steel

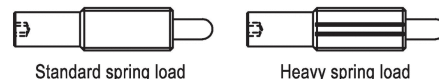
### Assembly

Spring plungers can be mounted and removed by means of the slot or internal hexagon. Please use a special assembly tool for mounting with a slot (pin side).

### Characteristic

Standard spring load: no marking

Heavy spring load: marked with two lines



### More information

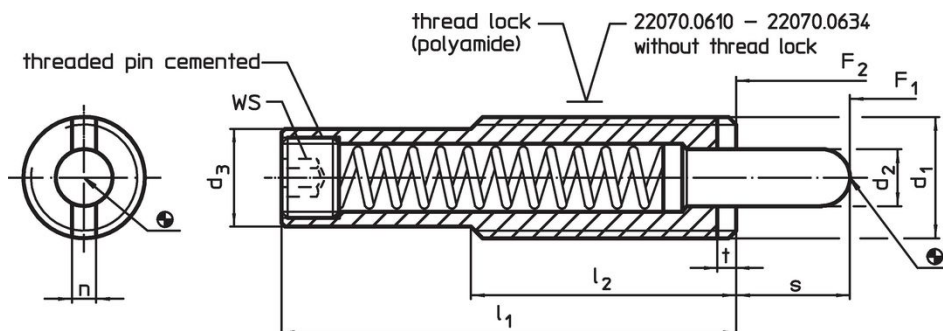
### Notes

Special types on request.  
Spring plungers are specially tested for spring range and forces.

### References

Thread lock: polyamide all-around coating (for details please refer to the technical appendix).

### Drawing



### Order information

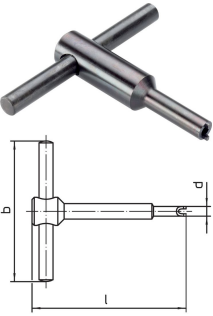
Dimensions							Stroke s	WS	Spring load <sup>1)</sup>		Temperature		Weight [g]	Art. No.
d <sub>1</sub>	l <sub>1</sub>	d <sub>2</sub>	d <sub>3</sub>	l <sub>2</sub>	n	t			F <sub>1</sub>	F <sub>2</sub>	min.	max.		
[mm]							[mm]	[mm]	~	~	[°C]			
<b>body from free cutting steel, standard spring load, with thread lock</b>														
M10	35	4.0	7.8	25	1.5	1.4	8	3	6	16	-30	90	13	22070.0408
M12	43	5.5	9.5	35	2.7	2.0	10	4	4	18	-30	90	22	22070.0412
M16	48	8.0	13.4	35	3.2	3.0	10	6	7	24	-30	90	47	22070.0430
M16	58	8.0	13.4	35	3.2	3.0	10	6	15	42	-30	90	53	22070.0432
M16	58	8.0	13.4	35	3.2	3.0	15	6	9	33	-30	90	54	22070.0436
M16	58	8.0	13.4	35	3.2	3.0	20	6	4	23	-30	90	55	22070.0440
M16	83	8.0	13.4	35	3.2	3.0	20	6	11	43	-30	90	69	22070.0442
M16	98	8.0	13.4	35	3.2	3.0	25	6	13	41	-30	90	81	22070.0444
M16	98	8.0	13.4	35	3.2	3.0	30	6	13	47	-30	90	83	22070.0450

<sup>1)</sup> statistical average value

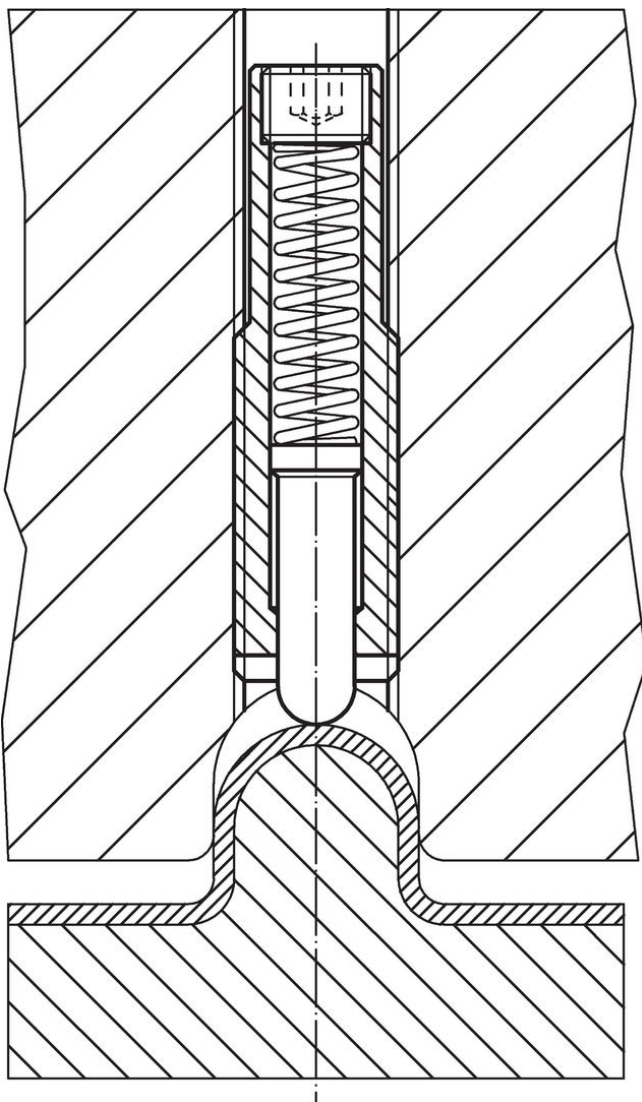
d <sub>1</sub>	l <sub>1</sub>	Dimensions					Stroke s	WS	Spring load <sup>1)</sup>		min. max.		[g]	Art. No.
		d <sub>2</sub>	d <sub>3</sub>	l <sub>2</sub>	n	t			F <sub>1</sub> ~	F <sub>2</sub> ~	[°C]			
[mm]							[mm]	[mm]	[N]					
M16	118	8.0	13.4	35	3.2	3.0	30	6	24	110	-30	90	97	22070.0452
M16	148	8.0	13.4	35	3.2	3.0	40	6	13	63	-30	90	117	22070.0455
M16	148	8.0	13.4	35	3.2	3.0	50	6	7	43	-30	90	119	22070.0460
M24	60	10.0	19.6	45	3.7	3.0	15	8	14	87	-30	90	132	22070.0480
<b>stainless steel, standard spring load, with thread lock</b>														
M10	35	4.0	7.8	25	1.5	1.4	8	3	6	16	-30	90	13	22070.0208
M12	43	5.5	9.5	35	2.7	2.0	10	4	4	18	-30	90	23	22070.0212
M16	48	8.0	13.4	35	3.2	3.0	10	6	7	24	-30	90	47	22070.0230
M16	58	8.0	13.4	35	3.2	3.0	15	6	9	33	-30	90	54	22070.0236
M16	58	8.0	13.4	35	3.2	3.0	20	6	4	23	-30	90	55	22070.0240
M16	98	8.0	13.4	35	3.2	3.0	25	6	13	41	-30	90	82	22070.0244
M16	98	8.0	13.4	35	3.2	3.0	30	6	13	47	-30	90	84	22070.0250
M16	148	8.0	13.4	35	3.2	3.0	40	6	13	63	-30	90	118	22070.0255
M16	148	8.0	13.4	35	3.2	3.0	50	6	7	43	-30	90	119	22070.0260
M24	60	10.0	19.6	45	3.7	3.0	15	8	14	87	-30	90	134	22070.0280
<b>body from free cutting steel, heavy spring load, with thread lock</b>														
M10	35	4.0	7.8	25	1.5	1.4	8	3	12	22	-30	90	13	22070.0508
M12	43	5.5	9.5	35	2.7	2.0	10	4	7	46	-30	90	23	22070.0512
M16	48	8.0	13.4	35	3.2	3.0	10	6	10	43	-30	90	47	22070.0530
M16	58	8.0	13.4	35	3.2	3.0	10	6	14	84	-30	90	54	22070.0532
M16	58	8.0	13.4	35	3.2	3.0	15	6	10	57	-30	90	55	22070.0536
M16	58	8.0	13.4	35	3.2	3.0	20	6	8	33	-30	90	56	22070.0540
M16	83	8.0	13.4	35	3.2	3.0	20	6	18	72	-30	90	71	22070.0542
M16	98	8.0	13.4	35	3.2	3.0	25	6	20	70	-30	90	81	22070.0544
M16	98	8.0	13.4	35	3.2	3.0	30	6	20	80	-30	90	83	22070.0550
M16	148	8.0	13.4	35	3.2	3.0	40	6	21	113	-30	90	121	22070.0555
M16	148	8.0	13.4	35	3.2	3.0	50	6	13	75	-30	90	121	22070.0560
M24	60	10.0	19.6	45	3.7	3.0	15	8	40	192	-30	90	134	22070.0580
<b>stainless steel, heavy spring load, with thread lock</b>														
M10	35	4.0	7.8	25	1.5	1.4	8	3	12	22	-30	90	13	22070.0308
M12	43	5.5	9.5	35	2.7	2.0	10	4	7	46	-30	90	23	22070.0312
M16	48	8.0	13.4	35	3.2	3.0	10	6	10	43	-30	90	47	22070.0330
M16	58	8.0	13.4	35	3.2	3.0	15	6	10	57	-30	90	55	22070.0336
M16	58	8.0	13.4	35	3.2	3.0	20	6	8	33	-30	90	55	22070.0340
M16	98	8.0	13.4	35	3.2	3.0	25	6	20	70	-30	90	82	22070.0344
M16	98	8.0	13.4	35	3.2	3.0	30	6	20	80	-30	90	83	22070.0350
M16	148	8.0	13.4	35	3.2	3.0	40	6	21	113	-30	90	122	22070.0355
M16	148	8.0	13.4	35	3.2	3.0	50	6	13	75	-30	90	122	22070.0360
M24	60	10.0	19.6	45	3.7	3.0	15	8	40	192	-30	90	135	22070.0380
<b>body from heat treated steel, standard spring load, without locking</b>														
M16	80	7.3	13.4	35	3.2	3.0	11	8	17	74	-	250	69	22070.0610
M16	120	7.3	13.4	35	3.2	3.0	21	8	21	81	-	250	96	22070.0612
M16	150	7.3	13.4	35	3.2	3.0	31	8	21	89	-	250	117	22070.0614
M16	200	7.3	13.4	35	3.2	3.0	41	8	16	80	-	250	149	22070.0616
M22	130	9.0	19.0	50	3.5	4.0	21	8	80	214	-	250	211	22070.0630
M22	168	9.0	19.0	50	3.5	4.0	31	8	70	210	-	250	278	22070.0632
M22	226	9.0	19.0	50	3.5	4.0	41	8	76	208	-	250	358	22070.0634

<sup>1)</sup> statistical average value

Accessories

	Dimensions				[g]	Art. No.
	d <sub>1</sub>	b	d	l		
[mm]						
<b>Assembly Tool for mounting via slot (pin sided)</b>						
	M10	80	7.8	70	87	<a href="#">22070.0830</a>
	M12	80	9.5	75	88	<a href="#">22070.0832</a>
	M16	80	13.4	95	110	<a href="#">22070.0834</a>
	M22	100	19.0	100	245	<a href="#">22070.0836</a>
	M24	100	19.9	100	258	<a href="#">22070.0838</a>

Application example



Compliance

For detailed compliance information please select the desired article number.