

## Index Plungers Compact • with hexagon collar, with T-Handle

EH 22110.



### Product Description

Index plungers are used for indexing bores.  
Simple handling, e.g. when using safety gloves, with higher pull release.  
Types with / without lock have the same building height.  
Due to a thread recess the index plungers can be completely screwed in.

### Material

#### Body

- Steel, blackened
- Stainless steel 1.4305

#### Locking pin

- Steel, hardened
- Stainless steel 1.4305, nickel-plated

#### Knob

- Thermoplastic PA 6, black, dull

### Assembly

The screw length can be adapted by distance collars for index plungers (EH 22120.).

### More information

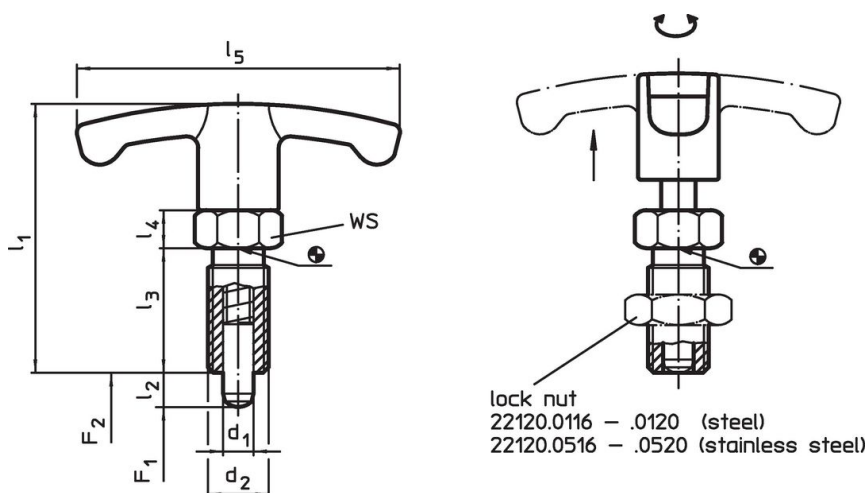
### Notes

Knob not removable.  
Lock nuts have to be purchased separately.

### Further products

- Mounting Blocks, for index bolts and index plungers, die-cast
- Locating Bushings, for index bolts and index plungers
- Distance Collars, for index plungers

### Drawing



### Order information



Dimensions							WS	Spring load <sup>1)</sup>		Temperature		Weight	Art. No.
d <sub>1</sub>	l <sub>2</sub>	d <sub>2</sub>	l <sub>1</sub>	l <sub>3</sub>	l <sub>4</sub>	l <sub>5</sub>		F <sub>1</sub>	F <sub>2</sub>	min.	max.		
-0.02 -0.05							[mm]	[N]	[N]	[°C]			
<b>Steel</b>													
6	6	M12 x 1,5	48	22	6	54	14	6.5	19	-30	80	31	<a href="#">22110.0820</a>
6	9	M12 x 1,5	48	22	6	54	14	6.0	25	-30	80	31	<a href="#">22110.0822</a>
8	8	M16 x 1,5	59	26	8	59	17	8.5	26	-30	80	64	<a href="#">22110.0824</a>
8	12	M16 x 1,5	59	26	8	59	17	8.5	28	-30	80	65	<a href="#">22110.0826</a>
10	12	M16 x 1,5	59	26	8	59	17	9.5	38	-30	80	66	<a href="#">22110.0828</a>
12	15	M20 x 1,5	68	33	10	59	22	11.5	40	-30	80	121	<a href="#">22110.0830</a>

<sup>1)</sup> statistical average value

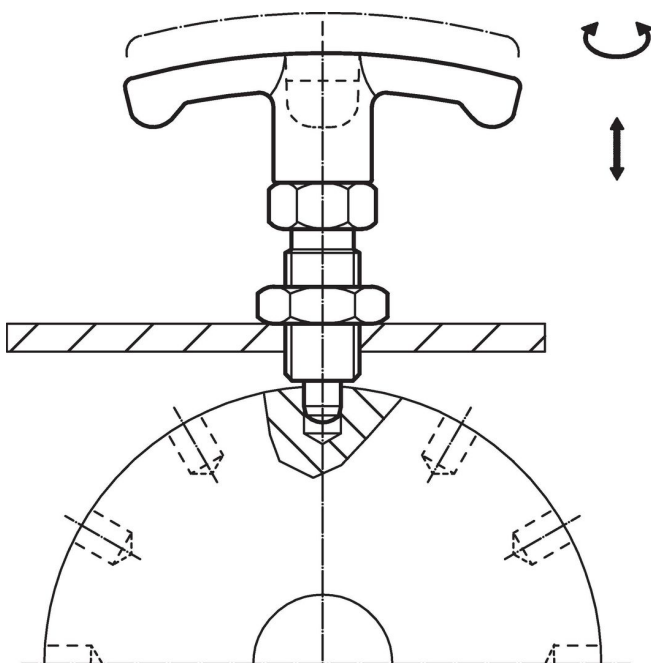
Dimensions							WS [mm]	Spring load <sup>1)</sup>		Temperature		Weight [g]	Art. No.
d <sub>1</sub> -0.02 -0.05	l <sub>2</sub>	d <sub>2</sub>	l <sub>1</sub>	l <sub>3</sub>	l <sub>4</sub>	l <sub>5</sub>		F <sub>1</sub> ~ [N]	F <sub>2</sub> ~ [N]	min. [°C]	max. [°C]		
<b>Stainless steel</b>													
6	6	M12 x 1,5	48	22	6	54	14	6.5	19	-30	80	31	<a href="#">22110.0920</a>
6	9	M12 x 1,5	48	22	6	54	14	6.0	25	-30	80	31	<a href="#">22110.0922</a>
8	8	M16 x 1,5	59	26	8	59	17	8.5	26	-30	80	64	<a href="#">22110.0924</a>
8	12	M16 x 1,5	59	26	8	59	17	8.5	28	-30	80	65	<a href="#">22110.0926</a>
10	12	M16 x 1,5	59	26	8	59	17	9.5	38	-30	80	66	<a href="#">22110.0928</a>
12	15	M20 x 1,5	68	33	10	59	22	11.5	40	-30	80	121	<a href="#">22110.0930</a>

<sup>1)</sup> statistical average value

### Accessories

Image	Dimensions	Wrench size [mm]	Weight [g]	Art. No.
	d <sub>2</sub> [mm]			
<b>Lock nuts ISO 8675 (DIN 439), Steel</b>				
	M12 x 1,5	18	7.5	<a href="#">22120.0116</a>
	M16 x 1,5	24	15.0	<a href="#">22120.0118</a>
	M20 x 1,5	30	32.0	<a href="#">22120.0120</a>
<b>Lock nuts ISO 8675 (DIN 439), Stainless steel</b>				
	M12 x 1,5	18	7.5	<a href="#">22120.0516</a>
	M16 x 1,5	24	15.0	<a href="#">22120.0518</a>
	M20 x 1,5	30	32.0	<a href="#">22120.0520</a>

### Application example



### Compliance

For detailed compliance information please select the desired article number.