

Mounting Blocks · for index bolts and index plungers

EH 22120.



Product Description

Assembly support and extended application for index bolts and index plungers (sizes 6, 8 and 10). Can also be used for locating the locating bushings and positioning bushings EH 22110..

Material

Grub Screw

- Steel, blackened, with brass pad
- Stainless steel, with brass pad

Body

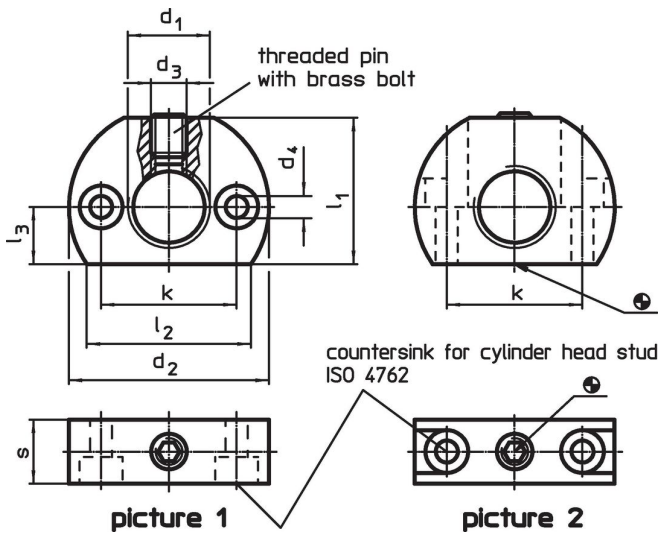
- Steel, blackened
- Stainless steel 1.4305

More information

Further products

- Locating Bushings, for index bolts and index plungers
- Positioning Bushings, for index bolts and index plungers

Drawing



Order information

Dimensions									max. [°C]	[g]	Art. No.
d ₁	d ₂	d ₃	d ₄	k ±0.1	l ₁	l ₂ ~	l ₃	s			
[mm]											
mounting hole parallel to index bolt and index plunger – picture 1, Steel											
M12 x 1,5	32	M5	4.5	21	22	26.5	9	12	250	43	22120.0345
M16 x 1,5	46	M8	5.5	32	33	38.0	13	15	250	122	22120.0346
M20 x 1,5	46	M8	5.5	32	33	38.0	13	15	250	109	22120.0350
mounting hole vertical to index bolt and index plunger – picture 2, Steel											
M12 x 1,5	32	M5	4.5	21	22	26.5	9	12	250	37	22120.0347
M16 x 1,5	46	M8	5.5	32	33	38.0	13	15	250	106	22120.0348
M20 x 1,5	46	M8	5.5	32	33	38.0	13	15	250	94	22120.0352
mounting hole parallel to index bolt and index plunger – picture 1, Stainless steel											
M12 x 1,5	32	M5	4.5	21	22	26.5	9	12	250	43	22120.0545
M16 x 1,5	46	M8	5.5	32	33	38.0	13	15	250	122	22120.0546
M20 x 1,5	46	M8	5.5	32	33	38.0	13	15	250	109	22120.0550
mounting hole vertical to index bolt and index plunger – picture 2, Stainless steel											
M12 x 1,5	32	M5	4.5	21	22	26.5	9	12	250	37	22120.0547
M16 x 1,5	46	M8	5.5	32	33	38.0	13	15	250	106	22120.0548
M20 x 1,5	46	M8	5.5	32	33	38.0	13	15	250	94	22120.0552

Application example



Compliance

For detailed compliance information please select the desired article number.