

Index Bolts • with mounting flange

EH 22120.



Product Description

Index bolts are used for indexing purposes.
Plastic cover for grip allows better handling.

Material

Body

- Steel, blackened

Locking pin

- Steel, nitrided, black

Plastic cap

- Thermoplastic, black, dull

Assembly

Right and left mounting is possible due to countersinks on both sides.
Index bolt for lateral fastening.

Operation

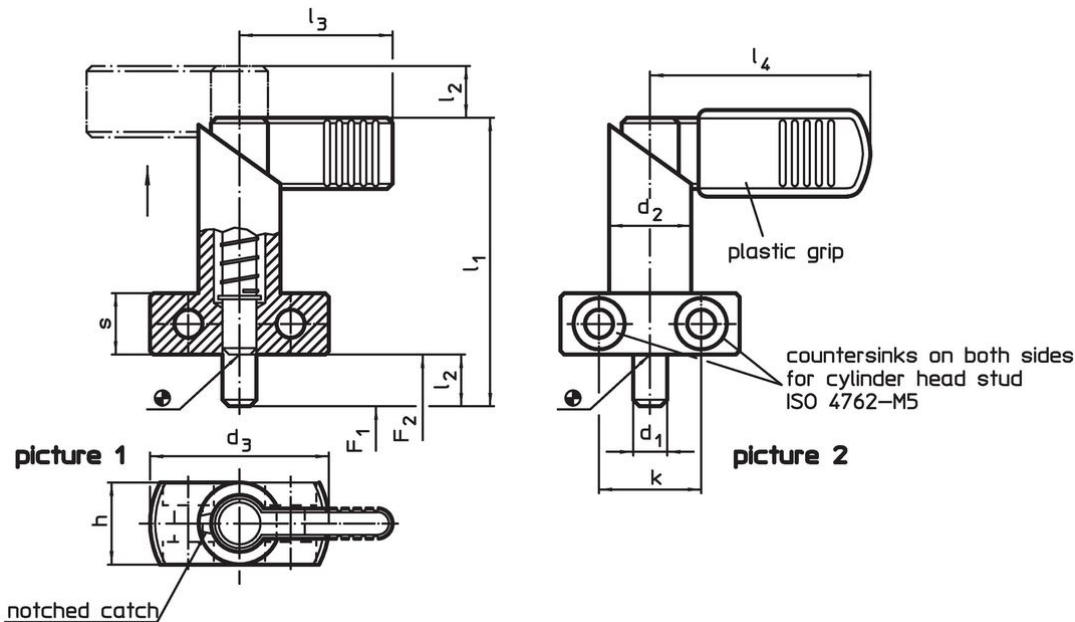
By turning the index bolt 180° the locking pin will be pulled-in and secured by a notched catch (when locking pin should not overhang).

More information

Further products

- Locating Bushings, for index bolts and index plungers

Drawing



Order information

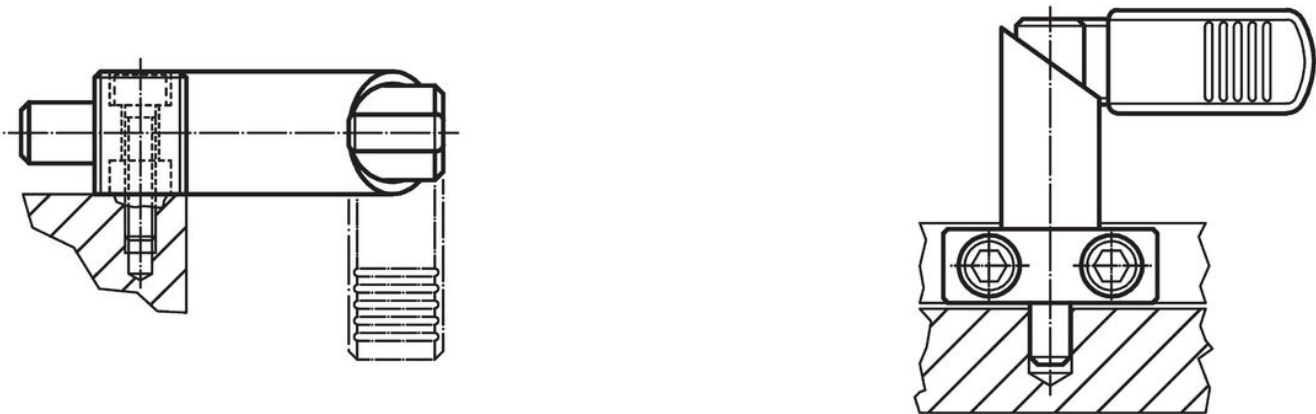
Dimensions										Spring load ¹⁾		Temperature		Weight [g]	Art. No.						
d ₁	l ₂	d ₂	d ₃	h	k	l ₁	l ₃	l ₄	s	F ₁	F ₂	min.	max.			[g]					
0 -0.05										~	~										
[mm]																[N]		[°C]			
without plastic cover for grip – picture 1																					
6	10	16	35	16	20	56	32	–	12	12	32	–	250	82	22120.0376						
8	10	16	35	16	20	56	32	–	12	12	32	–	250	85	22120.0378						
8	12	20	40	20	22	69	37	–	15	21	58	–	250	163	22120.0379						
10	10	16	35	16	20	56	32	–	12	12	32	–	250	85	22120.0381						
10	12	20	40	20	22	69	37	–	15	21	58	–	250	171	22120.0382						
12	12	20	40	20	22	69	37	–	15	21	58	–	250	174	22120.0384						

¹⁾ statistical average value

Dimensions										Spring load ¹⁾		Temperature		Weight [g]	Art. No.	
d ₁	l ₂	d ₂	d ₃	h	k	l ₁	l ₃	l ₄	s	F ₁	F ₂	min.	max.			
0 -0.05										~	~					
[mm]										[N]		[°C]		[g]		
with plastic cover for grip – picture 2																
6	10	16	35	16	20	56	–	42	12	12	32	-30	80	83	22120.0386	
8	10	16	35	16	20	56	–	42	12	12	32	-30	80	85	22120.0388	
8	12	20	40	20	22	69	–	52	15	21	58	-30	80	169	22120.0389	
10	10	16	35	16	20	56	–	42	12	12	32	-30	80	86	22120.0391	
10	12	20	40	20	22	69	–	52	15	21	58	-30	80	171	22120.0392	
12	12	20	40	20	22	69	–	52	15	21	58	-30	80	171	22120.0394	

¹⁾ statistical average value

Application example



Compliance

RoHS compliant

Contains lead - compliant according to exceptions 6a / 6b / 6c.

Contains SVHC substances >0,1% w/w

Contains lead - SVHC list [REACH] as of 27.06.2024.

Contains Proposition 65 substances



Lead can cause cancer and reproductive harm from exposure
<https://www.P65Warnings.ca.gov/>

Free from Conflict Minerals

This product does not contain any substances designated as "conflict minerals" such as tantalum, tin, gold or tungsten from the Democratic Republic of Congo or adjacent countries.